

Sony PC User Guide

1997/98

WAVIO

NOTICE TO USERS

© 1996 Sony Electronics Inc. All rights reserved. This manual and the software described herein, in whole or in part, may not be reproduced, translated, or reduced to any machine-readable form without prior written approval.

SONY ELECTRONICS INC. PROVIDES NO WARRANTY WITH REGARD TO THIS MANUAL, THE SOFTWARE, OR OTHER INFORMATION CONTAINED HEREIN AND HEREBY EXPRESSLY DISCLAIMS ANY IMPLIED WARRANTIES OR MERCHANTABILITY OR FITNESS FOR ANY PARTICULAR PURPOSE WITH REGARD TO THIS MANUAL, THE SOFTWARE, OR SUCH OTHER INFORMATION. IN NO EVENT SHALL SONY ELECTRONICS INC. BE LIABLE FOR ANY INCIDENTAL, CONSEQUENTIAL, OR SPECIAL DAMAGES, WHETHER BASED ON TORT, CONTRACT, OR OTHERWISE, ARISING OUT OF OR IN CONNECTION WITH THIS MANUAL, THE SOFTWARE, OR OTHER INFORMATION CONTAINED HEREIN OR THE USE THEREOF.

Sony Electronics Inc. reserves the right to make any modification to this manual or the information contained herein at any time without notice. The software described herein may also be governed by the terms of a separate user license agreement.

Sony and VAIO are trademarks of Sony.

Windows and the Windows 95 logo are registered trademarks of Microsoft Corporation.

Intel and Pentium are trademarks of Intel Corporation.

Sound Blaster is a trademark of Creative Technology Limited.

All other trademarks are trademarks of their respective owners.



Safety information

Owner's Record

The model number and serial number are located on the back of your Sony PC. Record the serial number in the space provided here. Refer to the model and serial number when you call your Sony Service Center.

Model Number: PCV-70, PCV-90

Serial Number: _____

WARNING

To prevent fire or shock hazard, do not expose your Sony PC to rain or moisture.

Never install modem or telephone wiring during a lightning storm.

Never install telephone jacks in wet locations unless the jack is specifically designed for wet locations

Never touch uninsulated telephone wire or terminals unless the telephone line has been disconnected at the network interface.

Use caution when installing or modifying telephone lines.

Avoid using the modem during an electrical storm.

Do not use the modem or a telephone to report a gas leak in the vicinity of the leak.

Caution

A \ The use of optical instruments with your Sony PC will increase eye hazard.

Contents

Welcome

About this User Guide.....	2
----------------------------	---

Setting Up Your Sony PC

Unpacking Your PC.:	3
Choosing a Location for Your PC.....	4
Back Panel Overview.....	6
Connecting the Sony Multimedia Computer Display.....	7
Connecting a Display, Speakers, and a Microphone.....	8
Connecting the Optional Palmrest.....	9
Connecting the Keyboard and Mouse.....	10
Connecting the Phone Line and Phone.....	11
Connecting the Power Cords.....	12
Connecting Additional Components.....	13
Connecting a Printer.....	13
Connecting a Joystick or MIDI Instrument.....	14
Starting Your Sony PC.....	15
Registering Windows 95.....	16
Registering Your PC.....	17
Accessing the CD-ROM and Diskette Drives.....	18

Getting Started with VAIO Space

What Is VAIO Space?.....	21
The VAIO Space Screen.....	22
Exploring the Sky.....	23
Using Sony Online.....	23
Using SOS.....	24
Using Net Space.....	24
Exploring the Walls.....	25
Launching Applications.....	25
Adding and Removing Applications in VAIO Space.....	26
Exploring the Floor.....	29
Using My Space.....	30
Changing VAIO Space Settings.....	30
Using the Windows 95 Taskbar.....	33
Switching to Windows 95.....	34
Shutting Down Your Sony PC.....	35

Introducing the Sony A/V Suite

The A/V Wall.....	38
Using the Mixer.....	40
Using the CD Player.....	42
Playing an Audio CD.....	42
Naming a CD.....	44
Naming CD Tracks.....	45
Creating CD Playlists.....	46
Removing Tracks from a CD Playlist.....	48
Using the WAV Player.....	49
Playing a WAV File.....	49
Creating WAV Playlists.....	51
Playing a WAV Playlist.....	53
Removing Files from a WAV Playlist.....	54
Using AudioView™.....	55
Editing a WAV File.....	55
Recording a WAV File.....	61

Using the MIDI Player.....	62
Playing a MIDI File.....	62
Creating MIDI Playlists.....	64
Playing a MIDI Playlist.....	66
Removing Files from a MIDI Playlist.....	67
Recording a MIDI File.....	68
Using the Video File Player.....	69
Creating Video Playlists.....	69
Playing a Video Playlist.....	72
Removing Files from a Video Playlist.....	73
Using the Video CD Player.....	74
Using More A/V.....	77
Getting Help	
Calling SOS.....	80
Troubleshooting.....	83
Using the Recovery CD.....	87
Upgrading and Maintaining Your Sony PC	
Removing the Cover.....	90
Inserting an Add-in Board.....	93
Adding Memory.....	95
Replacing the Lithium Battery.....	97
Replacing the Cover.....	99
Computer Basics	
Using the Keyboard.....	103
Using the Mouse.....	105
Setting Up the Mouse for Left-Hand Use.....	106
Using the CD-ROM Drive.....	107
Using the Diskette Drive.....	108

Other Information

Notes on Use.....	109
On the Power Source.....	109
On Disposal of the Lithium Battery.....	110
On Handling.....	III
On Installation.....	111
On Moisture Condensation.....	112
On Upgrading the System.....	112
On Using the Hard Disk Drive.....	113
On Handling Diskettes.....	113
On Handling CD-ROM Discs.....	113
On Cleaning CD-ROM Discs.....	114
Regulatory Information.....	115
FCC Part 68.....	116
Telephone Consumer Protection Act of 1991.....	117
Index.....	119



Welcome

Congratulations on your purchase of the Sony PC. Sony has combined leading-edge technology in audio, video, computing, and communications to provide you with state-of-the-art personal computing.

Here are just some of the features your Sony PC has to offer.

Exceptional performance: Your PC includes a fast Intel® Pentium® processor, an 8x CD-ROM drive, and a 28.8 Kbps DSVD (Digital Simultaneous Voice Data) modem.

Sxmy audio and video quality; High-quality, "Sony Tuned" video, which supports full-screen display, and integrated 3-D sound enable you to take advantage of today's advanced multimedia applications, games, and entertainment software.

Preinstalled software titles; Your Sony PC includes dozens of best-selling software titles, including productivity and reference tools, multimedia applications, and games featuring advanced 3-D graphics.

Windows® 95: Your system includes the latest operating system from Microsoft.

VAIO^^ Space: This fun, friendly, and engaging desktop environment, developed especially for the Sony PC, helps you organize and launch applications quickly and efficiently.

Sony A/V Suite; Enjoy all of your PC's audio and visual capabilities with component-like applications that play audio CDs, audio files (MIDI and WAV), Video CDs, and video files.

Communications: Access popular online services, send e-mail, browse the Internet, and use the built-in speakerphone, answering machine, and fax features.

Excellent customer support: Click the SOS icon to access Sony Online Support 24 hours a day, seven days a week. The SOS software enables a support representative to talk to you on the phone, perform remote diagnostics on your PC, and send you updates, all through a single phone call.

About this User Guide

This user guide offers a quick introduction and reference to your Sony PC.

Setting Up Your Sony PC shows you how to connect the standard components of your system—generally in under 15 minutes. This section also explains how to connect additional components you may have purchased, such as a printer, a MIDI instrument, and a joystick.

Getting Started with VAIO Space offers an in-depth exploration of the VAIO Space environment. It explains the different areas of the screen, how to launch applications, how to switch to Windows 95, how to customize your settings, and more.

Introducing the Sony A/V Suite describes how to use the audio and video components of the Sony A/V Suite. For instance, learn how to listen to your favorite CDs while you work on the computer, or watch videos on your computer screen.

Getting Help explains the support options available to you, shows you how to use the Sony Online Support service, and offers basic troubleshooting tips.

Upgrading and Maintaining Your Sony PC illustrates how to install an add-in card and memory, as well as how to change the lithium battery in your PC.

Computer Basics shows new computer users how to use a mouse, keyboard, CD-ROM drive, and diskette drive.

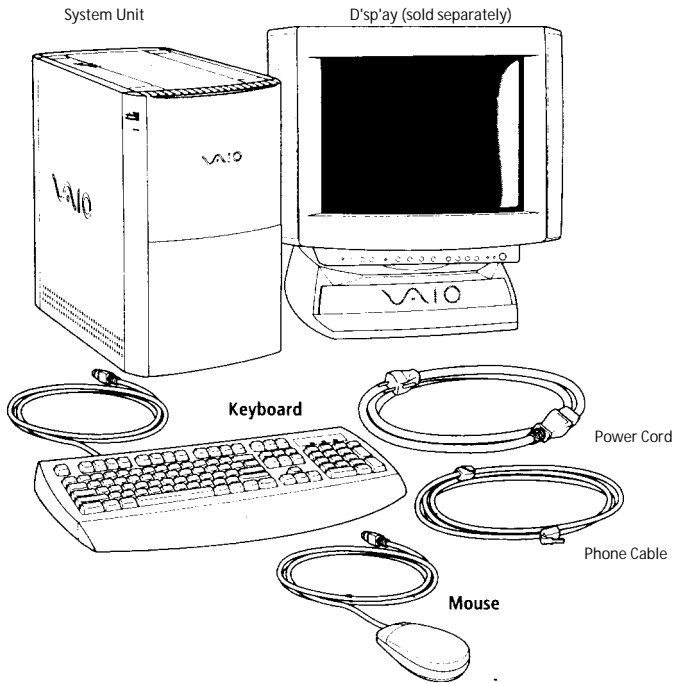
Other Information provides facts and advice about using your PC, as well as regulatory information.

Setting Up Your Sony PC^{jr ~}

Your Sony PC comes with all the software titles preinstalled on your hard disk drive. Just follow these simple steps to connect the cables and turn on the PC, and your Sony PC is ready to use.

Unpacking Your PC

Remove the following items from the box:



You can find the complete list of the items that come with your PC in the *About Your Sony PC* guide.

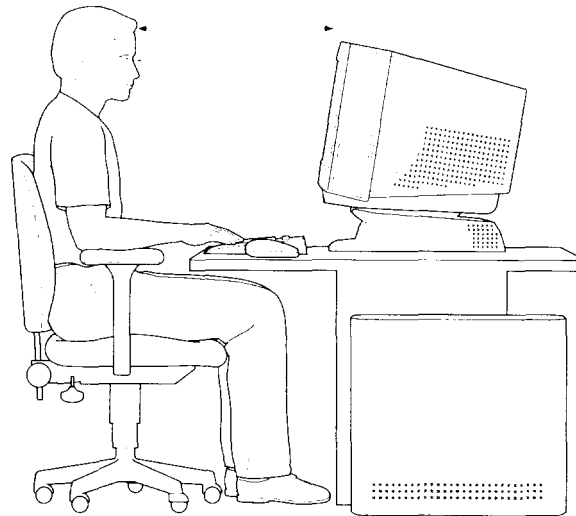
Note

^ If you purchased a Sony Multimedia Computer Display, it includes built-in speakers and a microphone. For other displays, you'll need separate speakers and a microphone to use the Sony PC's audio features.

Choosing a Location for Your PC

Here are some things to consider when planning your workspace:

- J **Stable work surface**—Use a stable work surface large enough to support the computer, the display, and other equipment.
- J **Ventilation**—Leave at least eight inches of space on the left and back sides of your PC to enable proper ventilation.
- J **Placement of the keyboard, mouse, and other input devices**—Place your keyboard, mouse, and other input devices so that your arms and hands are in a relaxed, comfortable position. The keyboard should be directly in front of you. Adjust the level of the keyboard so that your lower arms are parallel to the floor. Keep your wrists in a relaxed position when you're using the keyboard—not angled up or down. Use the palmrest only briefly, for resting. While typing, never use the palmrest or rest your hands on the table. Position the mouse at the same level as the keyboard. Hold the mouse with a relaxed hand, and use your whole arm to move it. Take breaks during sessions with your PC. Excessive use of the mouse or a joystick may strain muscles or tendons.



Choosing a Location for Your PC

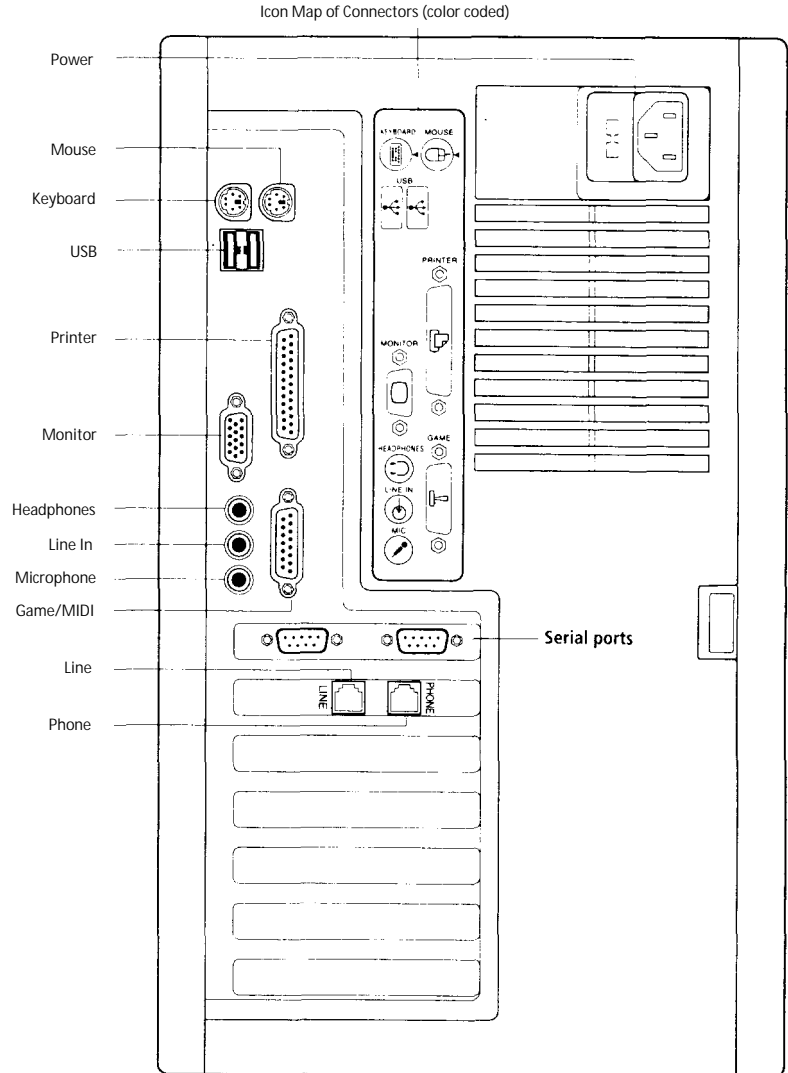
Furniture and posture—Sit in a chair with good back support and armrests. Adjust the level of the chair so your feet are flat on the floor. A footrest may make you more comfortable. Sit in a relaxed, upright posture—avoid slouching forward or leaning far backward.

Viewing angle of the display—Position the display 18 to 26 inches directly in front of you, with the top of the screen at or a little below eye level. Use the display's tilting feature to find the best position. You can reduce eye strain and muscle fatigue by placing the display in the proper position.

Lighting—Choose a location where windows and lights do not create glare and reflection on the display. Use indirect lighting to avoid bright spots on the display. You can also purchase accessories for your display that help reduce glare. Proper lighting adds to your comfort and work effectiveness.

Back Panel Overview

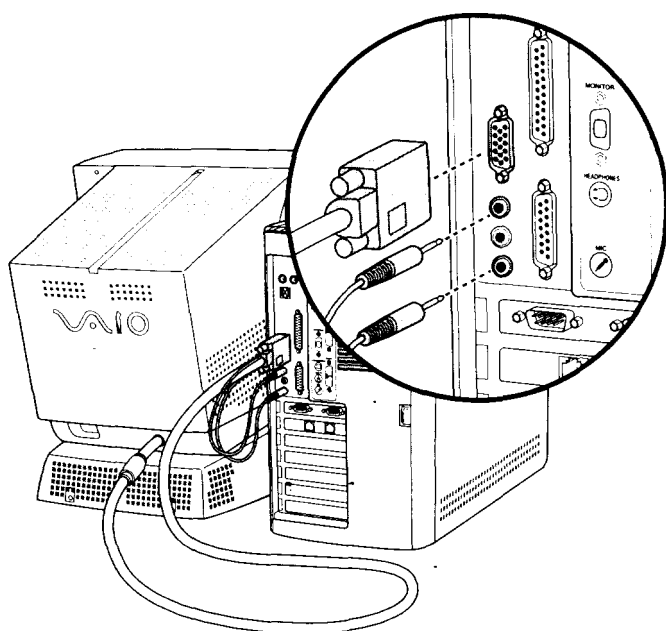
The back panel of your Sony PC contains the connectors where you plug in supplied and optional accessories. The icons on the back panel serve as a map to help you locate the connectors on your PC.



Connecting the Sony Multimedia Computer Display

The Sony Multimedia Computer Display (sold separately) is an integrated audio/video unit with built-in speakers and a microphone. Follow these steps to connect it to your PC.

- 1 Use the blue (3 symbol to locate the MONITOR connector. Plug the blue display cable into this connector, and then tighten the two screws to secure the cable.
- 2 Use the green Q symbol to locate the HEADPHONES connector. Plug the green speaker cable into this connector.
- 3 Use the red y* symbol to locate the MIC connector. Plug the red microphone cable into this connector.



Note

[^] See the manual that came with your Sony Multimedia Computer Display for more information on setting up and using the display.

Connecting a Display, Speakers, and a Microphone

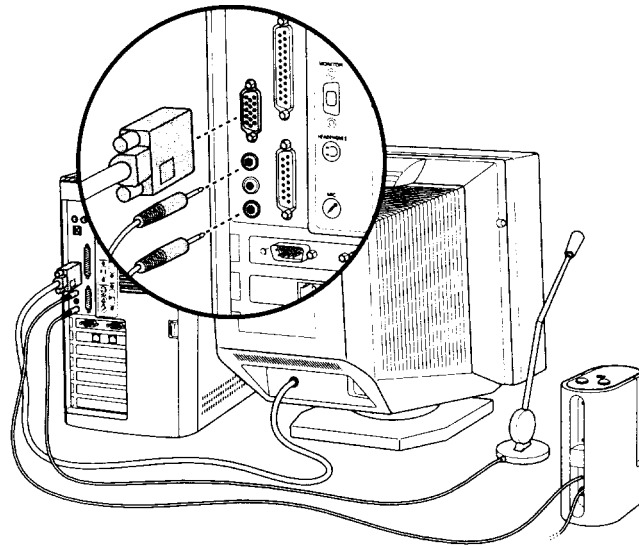
If you did not purchase the Sony Multimedia Computer Display, you need speakers and a microphone to use the Sony PC's audio features.

Note

A. Make sure your speakers are designed for computer use. Contact your Sony dealer for information on purchasing Sony computer speakers.

Follow these steps to connect your display, speakers, and microphone.

- 1 Use the blue (3) symbol to locate the MONITOR connector. Plug the display cable into this connector, and then tighten the two screws to secure the cable.
- 2 Use the green Q symbol to locate the HEADPHONES connector. Plug the speaker cable into this connector.
- 3 Use the red Y* to locate the MIC connector. Plug the microphone cable into this connector.



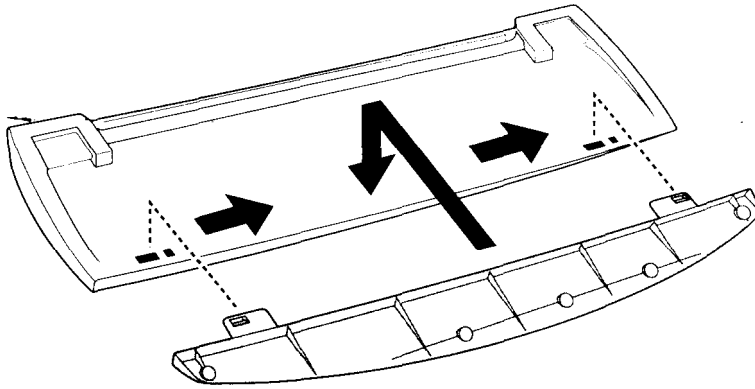
Note

^ See the manuals that came with your display, speakers, and microphone for more information on setting them up and using them.

Connecting the Optional Palmrest

Your Sony PC is equipped with an optional palmrest that you can attach to your keyboard. Follow these steps to connect the palmrest.

- 1 Place the keyboard and palmrest upside down on a flat surface.
- 2 Insert the latching posts on the palmrest into the openings on the keyboard.
- 3 Move the palmrest to the right until you feel it snap into place.



Note

^ Do not keep your wrists on the palmrest while typing: use the palmrest briefly only when resting.

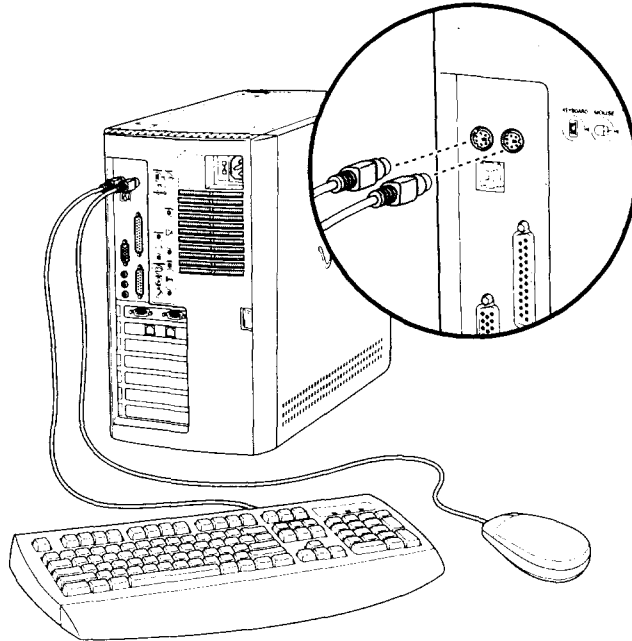
To remove the palmrest

- 1 Turn the keyboard and palmrest upside down.
- 2 Push down on the palmrest, and then move it to the left.
- 3 Lift the palmrest away from the keyboard.

Connecting the Keyboard and Mouse

Follow these steps to connect the keyboard and mouse.

- 1 Use the purple **i|j|k|l** symbol to locate the **KEYBOARD** connector. Plug the purple keyboard cable into this connector.
- 2 Use the blue-green **CZB"** symbol to locate the **MOUSE** connector and insert the blue-green mouse cable into this connector.



Note

the keyboard and mouse.

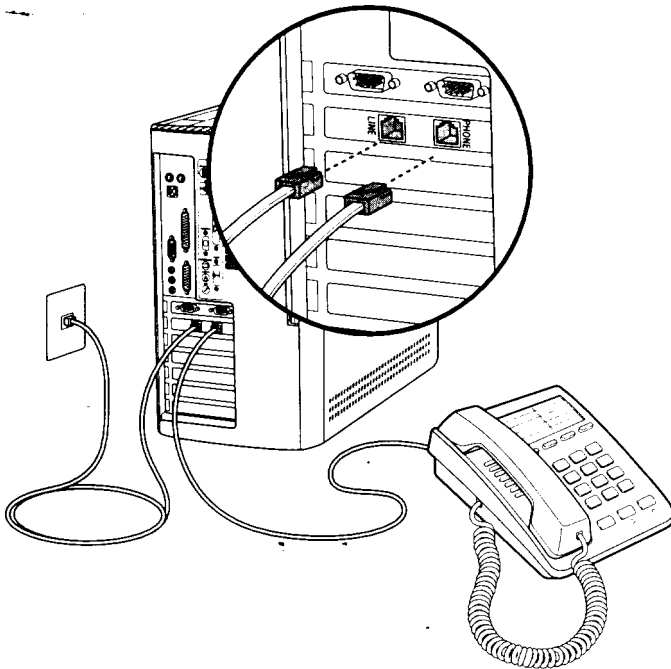
information on setting up and using

Connecting the Phone Line and Phone

You need to connect the phone line and phone to take advantage of online services, the Internet, and Sony Online Support. The phone line also enables you to register your PC and software online.

There are two phone jacks on the back panel. Follow these steps to connect your phone line and phone.

- 1 Unplug your phone from the wall jack and plug it into the PHONE jack on the PC.
- 2 Plug one end of the phone cable that came with your system into the LINE jack and the other end into the wall jack.



Note

^ Your Sony PC does not work with party lines, cannot be connected to a coin-operated telephone, and may not work with multiple phone lines or a private branch exchange (PBX).

Connecting the Power Cords

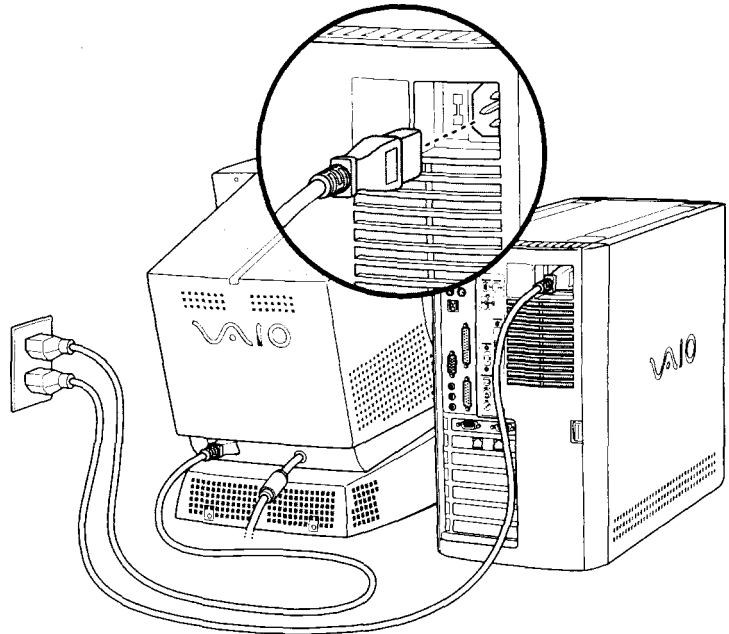
Your Sony PC is shipped with the voltage switch set to 115 volts. This is the correct setting for most homes and businesses in North America. If you use the PC in a location that requires 230 volts, change the setting to 230 volts by moving the switch up.

Caution

A Do not plug your Sony PC with the incorrect voltage setting; this may damage the PC.

Follow these steps to connect the power cords.

- 1 Plug the power cord into the connector on the PC.
- 2 If necessary, plug the display power cord into the display.
- 3 Plug both the display and power cords into a grounded AC wall outlet, power strip, or Uninterrupted Power Supply.



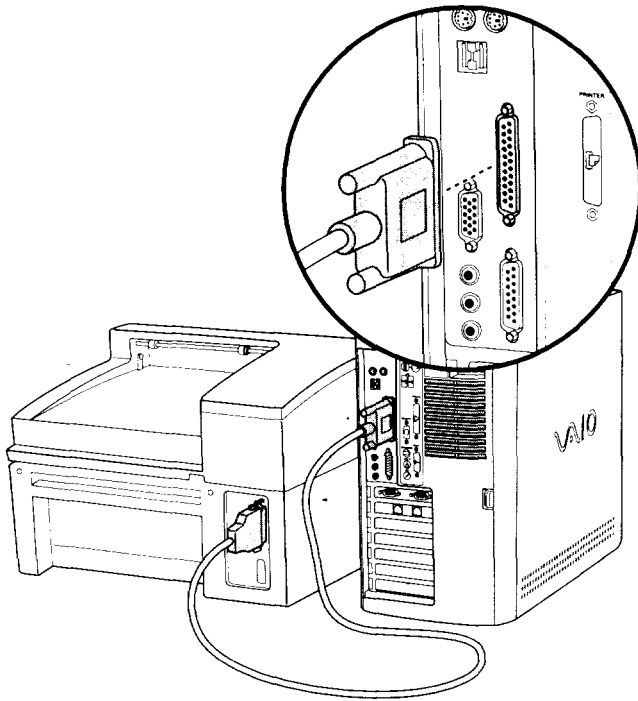
Connecting Additional Components

You can add functionality to your Sony PC by connecting a printer, joystick, or MIDI device.

Connecting a Printer

You can connect a printer to your Sony PC to print documents from your PC.

- 1 Use the dark grey symbol to locate the PRINTER connector. Plug the printer cable into this connector.
- 2 If necessary, plug one end of the printer power cord into the printer, and the other end into a grounded AC wall outlet, power ~?trip, or Uninterrupted Power Supply.



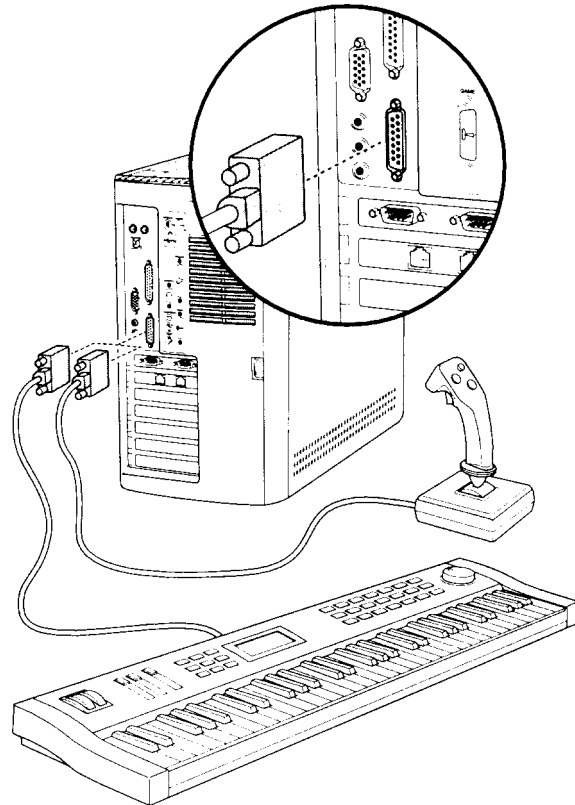
Note

^ See the manual that came with your printer for more information on setting it up and using it.

Connecting a Joystick or MIDI Instrument

You can connect a joystick or MIDI instrument to your Sony PC. You can also purchase an adapter to connect additional devices.

Use the dark grey ^ symbol to locate the GAME connector. Plug the joystick or MIDI cable into this connector.



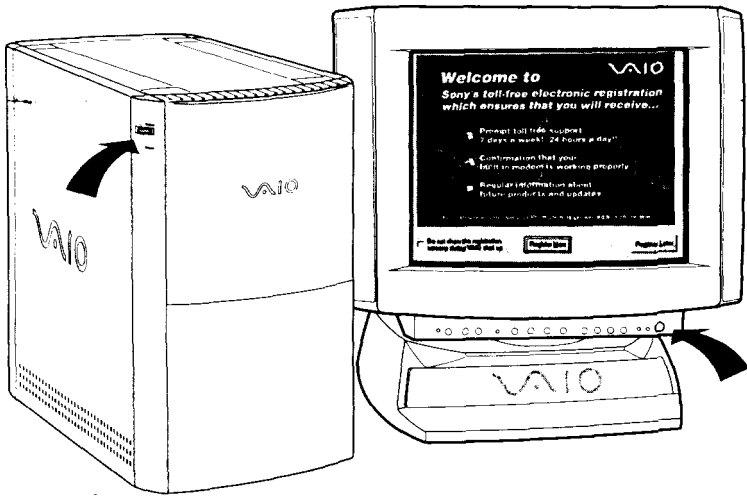
Note

^ Your MIDI instrument may have a different type of cable which requires an adapter. See the manual that came with your joystick or MIDI instrument for more information on setting it up and using it.

Starting Your Sony PC

After you connect all the cables and accessories to your Sony PC, you're ready to turn on the PC.

- 1 Press the power switch on the display to turn on the power.
- 2 Press the power switch on the upper-left panel of the PC to turn on the power.



Note

^ See "Shutting Down Your Sony PC" on page 35 for instructions on turning off your PC.

Registering Windows 95

The first time you turn on your Sony PC, you need to complete a few steps to register and configure the Windows 95 software that is already installed on your PC. You do not need to repeat these steps each time you turn on your computer.

Note

A You must register Windows 95 before you can use your PC.

The on-screen instructions guide you through the registration and configuration process. The following is an overview of the process.

1 Gathering information:

Enter your name.

-j Read and accept the License Agreement.

Enter your Certificate of Authenticity number located on the cover of the *Introducing Windows 95* manual.

2 Configuring your computer:

Click the Next button on the Network card detection screen.

Wait for the Registration program to install the software required to use the devices included with your PC.

3 Restarting your computer:

Click the Finish button when the Finishing Setup screen appears.

Click the OK button, and then wait for your computer to restart.

4 Selecting your computer settings:

If necessary, change the Time Zone, Date and Time on the Date/Time Properties screen.

5 Learning about Windows 95:

If you want, take the tour of Windows 95.

Registering Your PC

Take advantage of Sony's commitment to quality customer support and receive these benefits by registering your Sony PC:

Sony Online Support—Talk to a Support Representative to troubleshoot problems you may be having with your PC.

One-year parts and labor warranty—Protect your investment. See the Limited Warranty Card for details.

On-site service—Provides convenient resolution of any problems.

Follow these steps to use the Sony PC online registration service.

Note

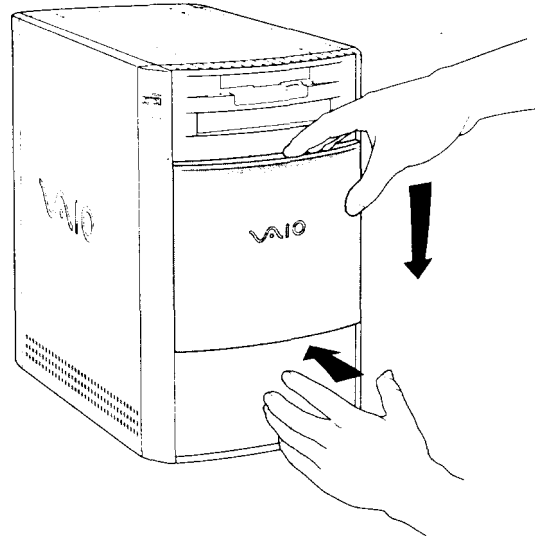
You must connect your phone and phone line before using any online service, including the online registration service. See "Connecting the Phone Line and Phone" on page 11.

- 1 Enter the information requested on the first online registration form. Press the TAB key to move from box to box.
- 2 Click the Next button to advance to the next form.
- 3 Complete the remaining forms by clicking the Next button each time you complete a form.
- 4 Click the Register Now button to register your PC. The Sony PC automatically transfers your registration information using your built-in modem and a toll-free telephone number.

Accessing the CD-ROM and Diskette Drives

You need to open the front panel to access the CD-ROM and diskette drives. Follow these steps to open and close the front panel.

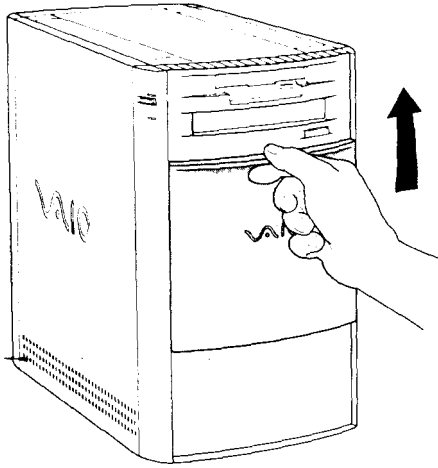
- 1 Push in the lower front panel on your PC.
- 2 Slide the upper panel down to reveal the CD-ROM and diskette drives.




Note

^ If you installed additional drives, you can access these drives by sliding the front panel down to the second position.

- 3 After you finish using the CD-ROM and diskette drive, slide the upper panel up until you hear the lower panel click into place.



I



Getting Started with VAIO Space

What Is VAIO Space?

Sony VAIO Space is a desktop environment you can use to:

- Launch applications

- Connect to online services

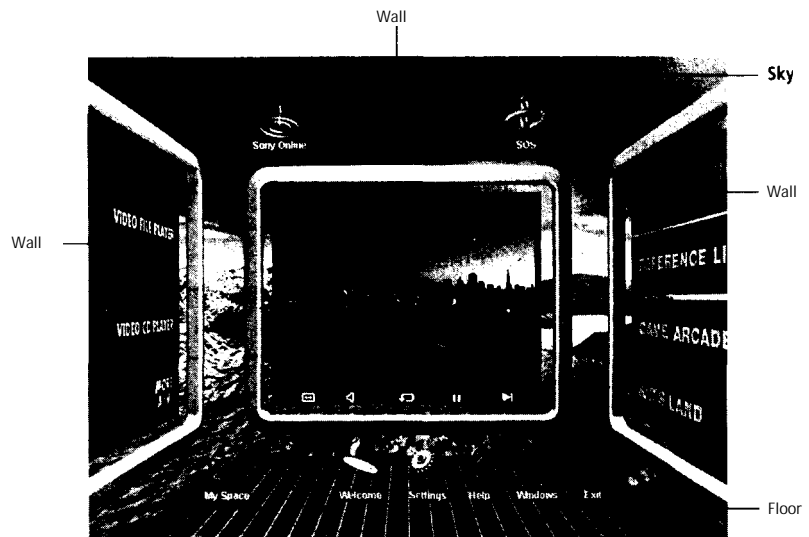
- Access the components in the Sony A/V Suite to watch videos, play CDs, work with sound files, and more

VAIO Space organizes all your preinstalled software, offering easy access to your applications. The 3-D graphics, animated icons, and movie clips in the center of the screen make the VAIO Space desktop a distinctive PC environment.

VAIO Space and Windows 95 work together so that you can easily switch back and forth between the two desktops. You can even choose which desktop appears when you turn on your PC—VAIO Space or Windows 95.

The VAIO Space Screen

As you look at the VAIO Space screen, imagine that you are standing in a room looking at three walls and a ceiling open to the sky.



Area	Description
Sky	Here you can connect to online services, launch an Internet browser, go directly to the Sony World Wide Web site, and access Sony Online Support.
Walls	VAIO Space contains three walls: the Video Wall, the A/V Wall, and the Application Wall.
Floor	The Floor offers instant access to a variety of common tasks, such as getting help and switching to Windows 95.

The wall in the center is the active wall—the one that you can currently use. To move a wall or the Sky to the center, just place the mouse pointer on it, and click when you see a green arrow.

Exploring the Sky

The VAI Space Sky lets you access online services, Internet browsers, and Sony Online Support.

The Sky contains two animated icons and the Net Space window, which appears when you click an empty part of the Sky. The Sony Online and SOS icons are available for you to use when they are spinning. If the icons are not currently moving, you need to close any open windows to make the icons available.

Icon	Description
	Launches an Internet browser and displays the Sony World Wide Web site.

Sony Online



Launches the SOS program and connects to Sony Online Support where you can speak to a support representative.

Using Sony Online

Sony Online gives you direct access to the Sony World Wide Web site. You can use your existing Internet Service Provider or establish a new account with an online service. Unless you are using a network, you must complete the account setup process the first time you use an Internet Service Provider to access Sony Online;

To complete account setup

- 1 Click the Sony Online icon.
- 2 Select Modem.
- 3 Click the New Connection button.
- 4 Follow the on-screen instructions to complete the account setup process.

Using SOS

The SOS icon connects you to Sony Online Support. You can use SOS to exchange information with a Sony customer service representative. For details on using SOS, see "Calling SOS" on page 80.

To start SOS

- 1 Click the SOS icon.
- 2 Complete the on-screen form.
- 3 Click the Call SOS button.

Using Net Space

The Net Space window enables you to launch online services and Internet browsers. To use these, you must first subscribe to an online service or establish an account with an Internet Service Provider.

To launch an application from Net Space

- 1 Close any open windows.
- 2 Place the mouse pointer in an empty area of the Sky.
- 3 When the pointer turns into a green arrow, click to open the Net Space window.
- 4 Double-click an icon to start the application.
- 5 After you finish using the software, click the S button in the upper right-hand corner to close the Net Space window.

Exploring the Walls

The VAIO Space walls help you organize and access the software on your Sony PC. Although you can see all three walls at the same time, only the center wall is active. To activate another wall, just click the wall.

Wall	Description
Video Wall	Displays video clips.
A/V Wall	Contains the Sony A/V Suite where you can play sounds, music, and videos. The A/V Wall also includes the integrated phone/fax application. See "Introducing the Sony A/V Suite" on page 37 for more information.
Application Wall	Provides a convenient way to launch your preinstalled software.

Launching Applications

The software that comes with your Sony PC is arranged into four categories on the Application Wall:

Work Center presents a variety of productivity tools including word processing and financial management applications.

Reference Library stores multimedia reference materials such as encyclopedias and dictionaries.

Game Arcade offers entertainment software titles.

Kid's Land includes software designed especially for children.

To launch software from the Application Wall

- 1** Click the Application Wall to move it to the center position.
- 2** Click the category you want to open: Work Center, Reference Library, Game Arcade, or Kid's Land.
- 3** Double-click the icon to start the software.

Adding and Removing Applications in VAIO Space

If you purchase additional software, you can add icons to VAIO Space so that you can easily launch these applications. You can add software to any of the following areas within VAIO Space:

- Work Center
- Reference Library
- Game Arcade
- Kid's Land
- Net Space
- My Space
- MoreA/V

To add an application to VAIO Space

- 1 Install the application by following the installation instructions that come with the software.
- 2 Open the VAIO Space area where you want to add the application.
For example, to add a game to the Game Arcade, move the Application Wall to the center position, and click the Game Arcade category.
- 3 Click the Add Application button to display the Add Application dialog box.

Folder Icons

ADD APPLICATION

J ^ (C|
 - JAaeiech
 " _J Fort* •
 ___I Plm
 ___1 P\fig_n\$
 _I SOvep
 Lt: _j captures
 [___1 Cstive
 _J Dmi
 _J Hplo
 ___I Manuals
 ___I P\ogram Files
 . _J28.8DSVD Mode

Backup

	Microsoft Money
	Calculator
1 <=> 1	Notepad
1 UHOWCI	Quicken SE Gateway
	WordPad
1 /zS71	

. Applications that have already been added

- 4 Under Windows, change drives and folders, as necessary, to select the folder containing the application.
- 5 Select the icon for the software you want to add.

Note

^ You can launch the application to verify your icon: selection by clicking the Test button.

- 6 In the Assign Name to Program dialog box, edit the file name to make it more descriptive if necessary.

ASSIGN NAME TO PROGRAM

NAHI OPAerUM.TOOO»AH

NM4I TO DISPLAY INCMrCOOnr USr

Rii..... ~

r nOORAHIEQUIMSCO-IIOH

Note

^ If the software documentation indicates that you need to insert a CD each time you run the application, select the Program Requires CD-ROM check box.

- 7 Click the OK button to add the application.
- 8 Click the OK button to close the Add Application dialog box.

To remove an application from VAIO Space







Note

The following procedure only removes the application from VAIO Space. To remove the application and all its files from your hard disk, see the Introducing Microsoft Windows 95 guide or the Windows 95 online help.

- 1** Open the VAIO Space area containing the application you want to remove.
- 2** Click the Add Application button to display the Add Application dialog box.
- 3** Under VAIO Space, select the name of the application you want to remove.
- 4** Click the Remove button.
- 5** Click OK to remove the connection to VAIO Space.
- 6** Click the OK button to close the Add Application dialog box.

Exploring the Floor

The icons on the VAIO Space Floor offer convenient access to common tasks, such as getting help and switching to the Window's 95 environment. The icons are available for you to use when they are spinning. If the icons are not currently moving, you need to close any open windows to make the icons available.

Icon	Description
	Opens a window where you can store the software you use most often.
	Runs the Welcome CD, where you can preview the applications preinstalled on your PC and learn about the technology your Sony PC has to offer.
Volcôme I	
	Lets you change your VAIO Space preferences.
	Displays on-screen help for VAIO Space.
	Switches to Windows 95, placing VAIO Space on the taskbar so that you can return to it easily.
	Closes VAIO Space and switches to Window's 95.

Using My Space

For quick access to the applications you use most often, place them in the My Space window. To add software to this window, see "Adding and Removing Applications in VAIO Space" on page 26.

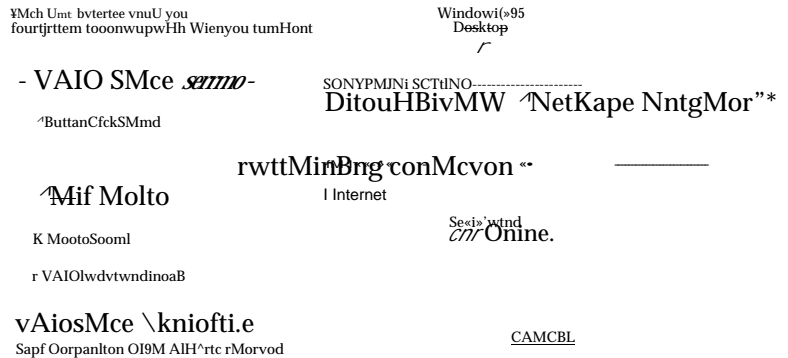
To launch an application from My Space

- 1 Click the My Space icon to open the My Space window.
- 2 Double-click an icon to start an application.
- 3 After you finish using the software, click the Close button to close the My Space window.

Changing VAIO Space Settings

You can customize VAIO Space in a number of ways. For instance, you can choose a default environment, turn off sound effects, and select movies for the Video Wall.

VAIO SPACE SETTING



To set your VAIO Space preferences

- 1 Click the Settings icon to open the VAIO Space Setting window.
- 2 Change any of the following options.

Option	Description
Which User Interface would you like your system to come up with when you turn it on?	Choose VAIO Space or Windows 95 as your startup desktop.
Button Click Sound	Choose whether you hear a sound when you click the mouse.
Transition Sound Effect	Choose whether you hear a sound when you make a wall or the Sky active.
Play Movie	View movie clips on the Video Wall.
Movie Sound	Turn the Video Wall movie soundtrack on or off.
Movies button	Add or remove movies. See "Selecting Movies for the Video Wall" on page 32.
VAIO background mode	Choose background mode when you want to use multiple VAIO Space applications at the same time.
Default Browser	Select the Internet browser to launch when you click the Sony Online icon.
Dial-Up Networking connection	Select the Internet Service Provider to use with Sony Online.
Show 'Account Setup' window when you use Sony Online	View or bypass the Account Setup window.

- 3 After you finish setting preferences, click the OK button.

Selecting Movies for the Video Wall

You can add MPEG movie files to the Video Wall and remove the default files.

To add movies

- 1 Click the Settings icon on the Floor.
- 2 Click the Movies button.
- 3 Under Windows, select the icon for the movie you want to add.

Note

Change drives and folders, as necessary, to select the correct icon. Only MPG files appear in this window.

- 4 Click the Add button.
- 5 Click the OK button to close the Add Movie window.

To remove movies

Caution

Removing movies deletes them from your hard disk drive.

- 1 Click the Settings icon on the Floor.
- 2 Click the Movies button.
- 3 Under VAIO Space, select the .MPG file you want to delete.
- 4 Click the Remove button.
- 5 Click the OK button to confirm that you want to delete the file.
- 6 Click the OK button to close the Add Movie window.

Using the Windows 95 Taskbar

The Windows 95 taskbar contains the Start button and buttons representing each open application and folder. It offers a quick and easy way to switch between open applications. By default, the taskbar appears at the bottom of the screen, but you can move it to any edge of the screen. While you are in VAIO Space, the taskbar is hidden but readily accessible.

To use the Windows 95 taskbar

- 1 Move the mouse pointer to the bottom of the screen to display the taskbar. The following shows a taskbar with several open applications.



The screenshot shows a horizontal taskbar at the bottom of the screen. On the left, there is a Start button. To its right are several application buttons, including one for 'raMiivi.«Ti^' and another for 'IMTETBISToW1^'. On the far right, there is a system tray containing a vertical bar with the text 'I qjHIIMlcPRO I' and a digital clock displaying '202PM'.

- 2 Do any of the following:

Action	Procedure
Switch to another application	Click the application's button on the taskbar.
Launch another application	Click the Start button, point to Programs, and click the software title you want.
Move the taskbar	Click an empty part of the taskbar and then drag it to a different location. To display the taskbar after you move it, point to the edge of the screen where you placed the taskbar.

Note

^ *The taskbar disappears when you move the pointer away from it.*

Switching to Windows 95

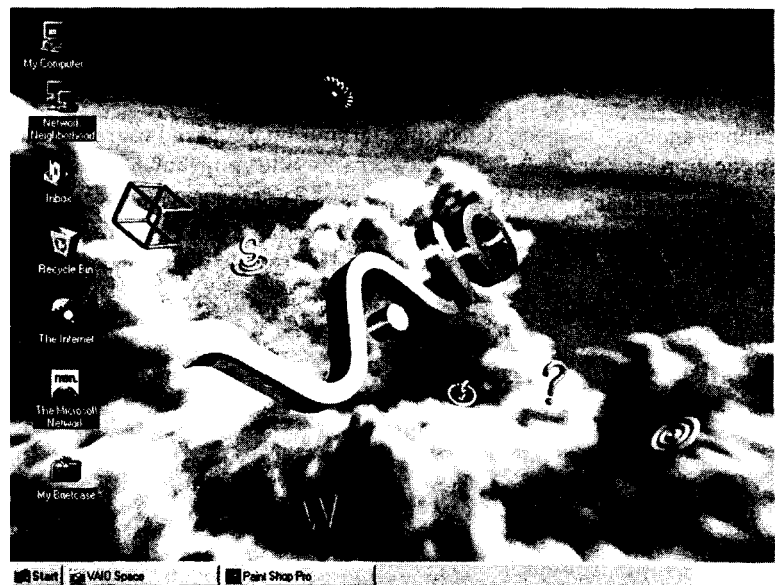
VAIO Space and Windows 95 run simultaneously, and it's easy to switch back and forth between them. If you don't plan to use VAIO Space for an extended period of time, you can close it and work only in Windows 95.

To switch between Windows 95 and VAIO Space

- 1 Click the Windows icon on the Floor.
- 2 To return to VAIO Space, click the VAIO Space button on the taskbar.

To close VAIO Space

- 1 Click the Exit icon to open the Exit VAIO Space dialog box.
- 2 Click the Close VAIO Space button to display the Windows 95 desktop.



To launch VAIO Space from Windows 95

- 1 Click the Start button to open the Start menu.
- 2 Click VAIO Space on the Start menu.

Shutting Down Your Sony PC

When you're ready to turn off your PC, use the following procedure.

Caution

⚠ To avoid the potential loss of data, do not press the power switch before you shut down the PC.

To shut down your PC

- 1 Display the Windows 95 taskbar. See "Using the Windows 95 Taskbar" on page 33.
- 2 Click the Start button to open the Start menu.
- 3 Click Shut Down at the bottom of the Start menu to display the Shut Down Windows dialog box.

Shut Down Windows

As you see you want to:

Shut down the computer.

Restart the computer?

Restart the computer in MS-DOS mode?

Save all programs and log on as a different user?

Yes

No

Cancel

- 4 Click Shut Down the Computer.
- 5 Click Yes.

Note

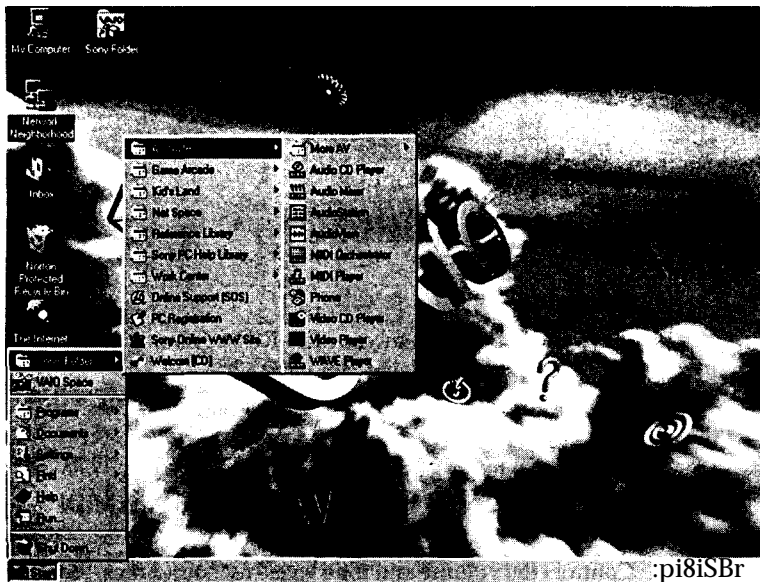
Respond to any prompts about saving documents.

- 6 Wait for your PC to turn off automatically.
- 7 Turn off the display and any of the peripherals connected to your PC.

Introducing the Sony A/V Suite

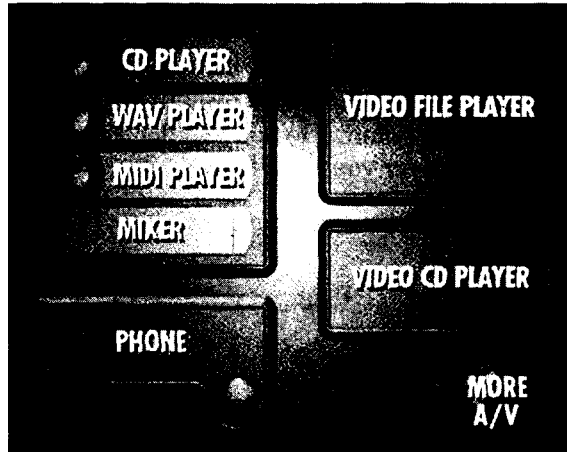
The Sony A/V Suite provides an integrated suite of software that gives you complete control of the audio/video features of your Sony PC. The intuitive, "home stereo component" interface offers you a familiar set of sound and video controls.

You can access the Sony A/V Suite by clicking the A/V Wall in VAIO Space. You can also access the individual components from the Windows 95 desktop by opening the Start menu, pointing to Sony Folder, pointing to A/V Suite, and then clicking the player you want to use.



The A/V Wall

In addition to including the Sony A/V Suite, the A/V Wall provides access to your phone and, through the More A/V button, access to additional A/V software titles. Each component is dedicated to a specific audio/video function.



Component	Description
CD Player	Plays audio tracks from your CD-ROM drive. See "Using the CD Player" on page 42.
WAV Player	Plays, records, and edits WAVE (.WAV) sound files. See "Using the WAV Player" on page 49.
MIDI Player	Plays, records, and edits MIDI (.MID) music files using external MIDI instruments. See "Using the MIDI Player" on page 62.
Mixer	Controls the volume and tone levels for sound files, videos, audio tracks, and other devices. See "Using the Mixer" on page 40.
Video File Player	Plays AVI (.AVI) and MPEG (.MPG and .DAT) videos on your Sony PC screen. See "Using the Video File Player" on page 69.
Video CD Player	Plays Video CDs. See "Using the Video CD Player" on page 74.

Component	Description
Phone	Launches the Phone application where you can use the built-in speakerphone, answering machine, and fax features. See the separate user guide for this application.
More A/V	Lists additional software titles that come with your Sony PC. You can also use this area to add other A/V software for quick access. See "Using More A/V" on page 77.

The CD, WAV, MIDI, and Video File Players enable you to create playlists. Playlists let you save a selection of tracks or files you want to hear or view so that you can reuse them later.

Note

^ Some components and players in the A/V Suite have buttons with indicator lights. These components are active when the light is on.

Using the Mixer

The Mixer enables you to control your Sony PC's sound sources for Windows multimedia and sound programs. The Mixer has individual controls for;

Master (all sources) playback and recording

Note

^ Use the Master setting to override the individual settings for the other players and devices.

CD Player playback

Note

^ If you add a CD-ROM drive with recording capabilities, use the CD recording setting to set, the input volume.

WAV Player playback and recording

MIDI Player playback and recording

Auxiliary device playback and recording

Microphone input

MMER MMERen



WARNING

Do not use headphones the first time you use the Mixer. The default audio settings may be loud enough to cause hearing problems or discomfort when played through headphones. Listening to loud music with headphones or using headphones for an extended period of time may also cause hearing problems or discomfort.

Note

^ If you change an A/V player's volume setting, the Mixer display updates automatically. Likewise, if you change the Mixer volume settings for an A/V player, the player's volume setting updates automatically.

Using the CD Player

The CD Player plays regular audio CDs in your Sony PC's CD-ROM drive. It features the same type of functionality as an ordinary CD player (such as Next Track and Shuffle Play). You can also create playlists of your favorite songs for current and future listening sessions.



Playing an Audio CD

You can play an audio CD at any time, as long as you're not currently running a CD-ROM program. You can even close the CD Player window while listening to a CD. If the CD has a playlist, the player plays the selected tracks. For more information about playlists, see "Creating CD Playlists" on page 46.

To play an audio CD

- 1 Click the CD Player on the A/V Wall.
- 2 Click **Eject** to open the CD tray.
- 3 Place an audio CD in the CD tray, and then click **Eject** again to close the tray.
- 4 Click (Play).

The CD Player displays the track name and number, the CD name, the elapsed time, and a rotating CD that indicates the CD is playing.



BBPeKT

Note

The CD and track names appear as "untitled" until you name them. (See "Naming a CD" on page 44 and "Naming CD Tracks" on page 45 for details.)

other CD Player Functions

Action	Procedure
Toggle the sound on and off	Click MUTE.
Stop play	Click (Stop).
Pause play	Click (Pause).
Go to the next track	Click H (Next).
Go to the beginning of the current track	Click SWM.:1 (Previous).
Rewind the current track	Click and hold HWa (Rewind).
Fast forward the current track	Click and hold HB (Fast Forward).
Play the tracks in random order	Click SHUFFLE.
Adjust the volume	Drag the CD volume sliders on the CD Player or the Mixer. See "Using the Mixer" on page 40.
Create or update a playlist	Click PLAYLIST. See "Creating CD Playlists" on page 46.
Play an intro to each track in the playlist	Click INTRO.
Play the current playlist tracks in the order in which they appear	Click CONTINUE.
Continuously play ("loop") the current playlist tracks in the order in which they appear	Click REPEAT.
Open or close the CD tray	Click (Eject).

Note

^ To open the CD tray when you do not have a CD in the tray, press the Eject button on the front panel of the PC.

Naming a CD

Before you can create a playlist, you must name the CD. The CD Player stores this information and remembers it whenever you play the CD.

To name a CD

- 1 Click the CD Player on the A/V Wall.
- 2 Click the PLAYLIST button to display the CD Playlist Edit dialog box.
- 3 Click the Name CD button to display the Name CD dialog box.

CD Name: UNTITLED

OK

- 4 Type the name of the CD.
- 5 Click the OK button to save the CD name and return to the CD Playlist Edit dialog box.

The CD name now appears in the CD Name box.

Click the OK button to return to the CD Player.

The CD resumes playing and the name now appears in the CD Player display.

Naming CD Tracks

After you name a CD, you can name the tracks on it as well. The CD Player stores this information and remembers it whenever you play the CD.

To name tracks on a CD

- 1 Click the CD Player on the A/V Wall.
- 2 Click the PLAYLIST button to display the CD Playlist Edit dialog box.
- 3 Click the Name Track button to display the Name Track dialog box.

TrackName:

Track Select

|, —, | L

- 4 Type the name of the track.
- 5 Click the Next button to name the next (or another) track.
Repeat this step for other tracks you want to name.
- 6 Click the OK button to save the track name(s) and return to the CD Playlist Edit dialog box.

The track names now appear in the CD Tracks list.

Note

^If you have a playlist for this CD, the track names also appear in the Playlist.

- 7 Click the OK button to return to the CD Player.

The CD resumes playing and the current track name now appears in the CD Player.

Creating CD Playlists

After you name a CD, you can create a playlist of the tracks you want to play. You can customize the list to include only your favorite tracks or all tracks on the CD. The CD Player stores this information and remembers it whenever you play the CD.

Note

^ If/ou create a playlist without first naming the CD, the CD Player does not save the playlist.

To create and customize a CD playlist

- 1 Click the CD Player on the A/V Wall.
- 2 Click the PLAYLIST button to display the CD Playlist Edit dialog box.

LO Playlist.dll Playlist.d Ich iMAMIAH CARU Y MUSIL PIXI

CDTiack« -

Total TMdu Total Tim

PMIt

Total TfBoka TotdTim

DREAMLOVER
HERO
ANYTIME YOU NEED A FRIEND
MUSIC BOX
NOW THAT I KNOW
NEVER FORGET YOU
WITHOUT YOU
JUST TO HOLD YOU ONCE AGAIN
IVE BEEN THINKING ABOUT YOU
ALL IVE EVER WANTED

f 1^^^]

OK

m '

Select the tracks you want to add to the playlist:

Action	Procedure
Copy one track in the Names list to the playlist	Double-click the track, or select the track and then click [<u>A</u>] (Add Selection).
Copy all tracks in the Names list to the playlist	Click <u>A</u> (Add All Files).
Copy a range of tracks in the Names list to the playlist	Press the SHIFT key on the keyboard while clicking the first and last tracks in the range, and then click <u>A</u> (Add Selection).
Copy selected tracks in the Names list to the playlist	Press the CTRL key on the keyboard while clicking each track, and then click <u>A</u> (Add Selection).

- 4 Click the OK button to save the playlist.

Note

You can add CD tracks to a playlist by opening the playlist and selecting the tracks you want to add as described in step 3.

Removing Tracks from a CD Playlist

If you don't want to listen to specific tracks on a CD, you can remove them from the playlist.

To remove a track from a CD playlist

- 1 Click the CD Player on the A/V Wall.
- 2 Click the PLAYLIST button to display the CD Playlist Edit dialog box.
- 3 Select the tracks you want to remove from the playlist:

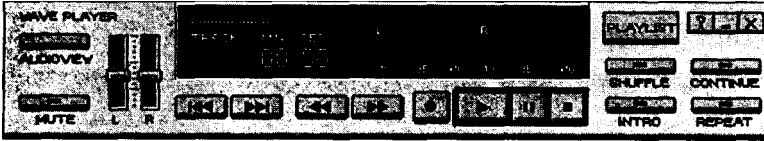
Action	Procedure
Remove one track from the playlist	Click the track, and then click <u>l jta l</u> (Delete Selection).
Remove all tracks from the playlist	Click I Jt^l (Delete All Selections).
- 4 Click I H I (Save File), and then type a new file name or select the name of the current playlist.
- 5 Click the OK button to save the file.

Note

^ If you selected the name of the current playlist, click the Yes button in the next dialog box, which asks whether you want to overwrite the file.

Using the WAV Player

The WAV Player lets you record and play WAV sounds (such as keyboard clicks and your own voice). You can make playlists of your favorite sounds to play during current and future listening sessions. You can also use the WAV Player to edit sounds. See "Using AudioView" on page 55 for details.

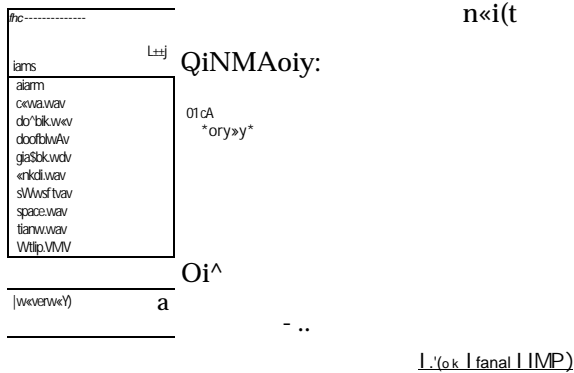


Playing WAV File

You can open and play individual WAV files, or you can create a list of specific WAV files to play.

To play a WAV file

- 1 Click the WAV Player on the A/V Wall.
- 2 Click PLAYLIST to display the WAV Playlist dialog box.



- 3 Select a WAV file from the Name list, and then click the OK button.
- 4 Click I>I (Play) to hear the sound.

Other WAV Player Functions

Action	Procedure
Toggle the sound on and off	Click MUTE.
Stop play	Click 0 (Stop).
Pause play	Click (Pause).
Create or update a playlist	Click PLAYLIST. See "Creating WAV Playlists" on page 51.
Go to the next file in the playlist	Click I I (Next).
Go to the beginning of the current file in the playlist	Click I U (Previous).
Rewind the current file	Click and hold ! (Rewind).
Fast forward the current file	Click and hold (Fast Forward).
Play the playlist files in random order	Click SHUFFLE.
Adjust the volume	Drag the WAV volume sliders on the WAV Player or the Mixer. See "Using the Mixer" on page 40.
Play an intro to each file in the playlist	Click INTRO.
Play the current playlist files in the order in which they appear	Click CONTINUE.
Continuously play ("loop") the current playlist files in the order in which they appear	Click REPEAT.
Record a WAV sound	Click I I (Record). See "Recording a WAV File" page 61.
Edit a WAV sound	Click AUDIOVIEW to launch AudioView. See "Editing a WAV File" on page 55.

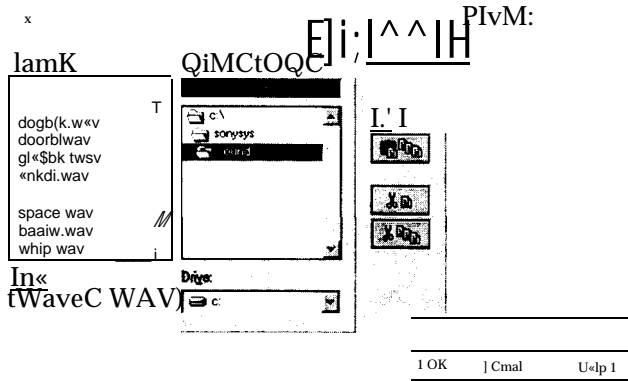
Creating WAV Playlists

You can create or customize a playlist of the WAV files you want to play (such as animal sounds or funny noises). You can add files one at a time, or you can add a group of files.

To create and customize a WAV playlist

- 1 Click the WAV Player on the A/V Wall.
- 2 Click the PLAYLIST button to display the WAV Playlist dialog box.

|xi



3 Select the WAV files you want to add to the playlist, changing drives and folders as necessary:

Action	Procedure
Copy one file in the Names list to the playlist	Double-click the file, or select the file and then click I B I (Add Selection).
Copy all files in the Names list to the playlist	Click (Add All Files).
Copy a range of files in the Names list to the playlist	Press the SHIFT key on the keyboard while clicking the first and last files in the range, and then click I B I (Add Selection).
Copy selected files in the Names list to the playlist	Press the CTRL key on the keyboard while clicking each file, and then click I g I (Add Selection).
Find all WAV files on the selected drive	Click (Search Selected Drive).

Note

[^] To play a sound file, select the file, and then click **I > I** (Play). To play the files you select automatically, click **Q** (Automatically Play Highlighted File).

4 Click **I** (Save File), and then type a file name.

Note

[^] Change drives and folders, as necessary, to save the file to the correct location. The sound playlist file extension defaults automatically to VSL.

5 Click the OK button to save the file.

Note

[^] You can add WAV files to a playlist by opening the playlist and selecting the files you want to add. To remove files from a playlist, see "Removing Files from a WAV Playlist" on page 54.

Playing a WAV Playlist

If you have more than one WAV playlist, you must select which list you want to play. If you have only one playlist, just click ▶ (Play) on the WAV Player.

To play a WAV playlist

- 1 Click the WAV Player on the A/V Wall.
- 2 Click the PLAYLIST button to display the WAV Playlist dialog box.
- 3 Click LI (Open File), and then select the file you want to open.

Note

^ Change drives and folders, as necessary, to select a file.

- 4 Click The OK button to open the file and return to the WAV Playlist dialog box.
- 5 Click the OK button to return to the WAV Player.
- 6 Click II (Play) to hear the sounds in the playlist.

Removing Files from a WAV Playlist

If you don't want to hear specific files in a WAV playlist, you can remove them from the list.

To remove files from a WAV playlist

- 1 Click the WAV Player on the A/V Wall.
- 2 Click the PLAYLIST button to display the WAV Playlist dialog box.
- 3 Select the WAV files you want to remove from the playlist:

Action	Procedure
Remove one file from the playlist	Select the file, and then click (Delete Selection).
Remove all files from the playlist	Click <u>MBaiii</u> (Delete All Selections).

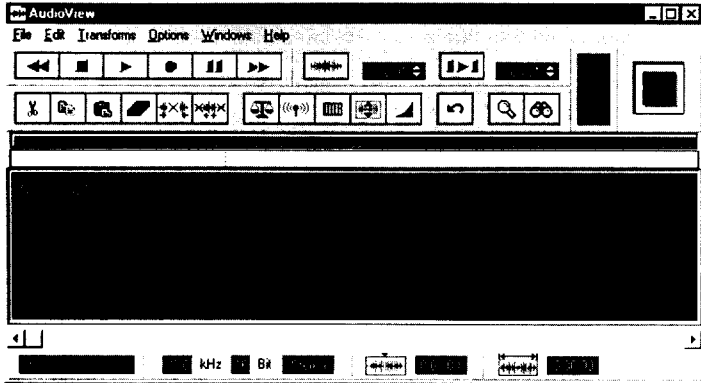
- 4 Click I g I (Save File), and then type a new file name or select the name of the current playlist.
- 5 Click the OK button to save the file.

Note

^ If you selected the name of the current playlist, click the Yes button in the next dialog box, which asks whether you want to overwrite the file.

Using AudioView^^

AudioView enables you to edit WAV sounds using common editing functions, such as cut, copy, and paste. Other editing functions include sound mixing and changing playback volumes. You can record and edit new WAV sounds as well.



Editing a WAV File

You can edit a WAV file to remove dead (flat) spots and to rearrange and mix sounds. Most editing requires selecting start and end points of a segment or range that you want to change.

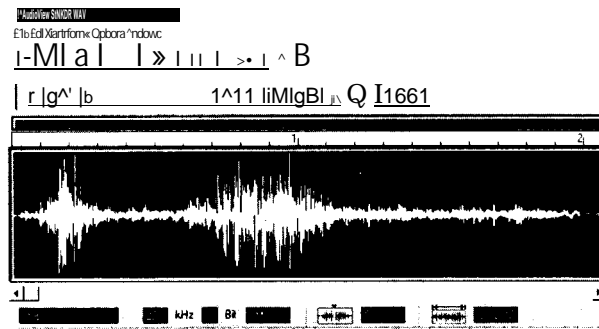
Note

^ If you choose AUDIOVIEW when a WAV file is already open, the current WAV file appears.

To cut and paste data

- 1 Click the WAV Player on the A/V Wall.
- 2 Click the AUDIOVIEW button to display AudioView.
- 3 If necessary, open the File menu and select Open to display the file you want to edit.

- Click **I>I** (Play) to hear the sound.



- Select the segment you want to cut. See "Segment Selection Functions" below for details.

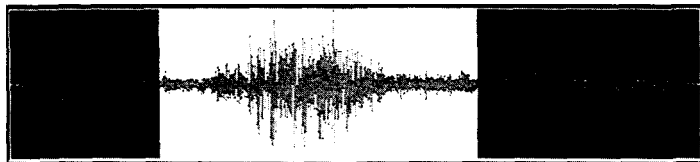
Segment Selection Functions

Action	Procedure
Select a segment	Click the Start point in the graphic display, drag the mouse to the right to the desired End point, and then release.
Select the entire file	Double-click anywhere in the graphics display, or open the Edit menu and select Select All.
Select a segment as you listen	Play the file. When you hear the sound you want to use as the Start Point, hold down the (Select Range During Playback) as the passage plays. Release the button at the end of the desired segment, and then click I*1 (Stop).
Make rough adjustments to the selected segment	Hold down the SHIFT key on the keyboard, place the mouse cursor at the desired location and then click.
Make precise adjustments to the selected segment	Click anywhere on the Range Start or Range End areas (to the left and right of I****I , respectively). Then click the up or down arrow to adjust the time by 1/100th second.

Note

^ After you select the segment, the display highlights the segment. Note the numbers in the Range Start and Range End marker boxes. These numbers can help you select the same segment again.

For example, to select this segment



Start Point:
Click here.

End Point:
Drag the mouse to here,
then release.

6 Click **nr** (Cut).

Note

^ If you want to paste the data into another WAV file, open that file now.

7 If you want to move the segment, click the location where you want to paste the data, and then click **(Paste)**.

8 Click **I'»I** (Play) to hear the edited sound.

9 When you're ready to save the new sound, open the File menu and select **Save A s . . .** and then type a file name.

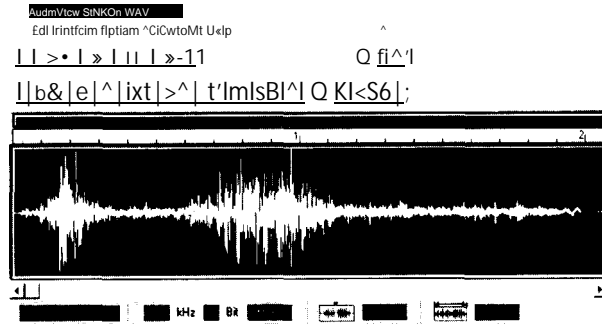
Note

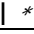
^ Change drives and folders, as necessary, to save the file to the correct location.

10 Click the **OK** button to save the file.

To copy and paste data

- 1 Click the WAV Player on the A/V Wall.
- 2 Click the AUDIOVIEW button to display AudioView.
- 3 If necessary, open the File menu and select Open to display the file you want to edit.

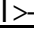


- 4 Click  (Play) to hear the sound.
- 5 Select the segment you want to copy, and then click (Copy). See "Segment Selection Functions" on page 56 for details.

The display highlights the selected segment.

Note

^ If you want to paste the data into another WAV file, open that file now.

- 6 If you want to move the segment, click the location where you want to paste the data, and then click (Paste).
- 7 Click  (Play) to hear the edited sound.
- 8 When you're ready to save the new sound, open the File menu and select Save As..., and then type a file name.

Note

Change drives and folders, as necessary, to save the file to the correct location.

- 9 Click the OK button to save the file.

Other AudioView Edit Functions

Action	Procedure
Stop play	Click (Stop).
Pause play	Click (Pause).
Rewind the current sound	Click and hold <u> <<< </u> (Rewind).
Fast forward the current sound	Click and hold <u> >>> </u> (Fast Forward).
Adjust the volume	Drag the WAV volume sliders on the WAV Player or the Mixer. See "Using the Mixer" on page 40.
Select a segment or range	See "Segment Selection Functions" on page 56.
Play the selected segment	Click <u> >*</u> (Play Range).
Delete all data except a selected segment	Click <u> xyj</u> (Trim).
Adjust the volume (amplitude) of a selected segment	Click <u> qp </u> (Scale).
Echo a selected segment	Click [5S1 (Echo).
Remove background noise	Click <u>Iwj</u> (Noise Gate) to find every sample in the selected segment with an amplitude below a specific amount.
Adjust the volume (amplitude) and improve the signal-to-noise ratio of a sound recorded at too low a level	Click <u>IW </u> (Normalize).
Fade in or fade out a selected segment	Click <u>/</u> (Fade).
Undo the last edit or transform operation	Click (Undo).
Zoom in on a selected segment	Click I (Zoom In).
Zoom out of a selected segment	Click 1 (Zoom Out).

Other AudioView Functions—Edit and Transforms Menus

Action	Procedure
Insert silence (dead or flat spot)	Open the Edit menu and select Insert Silence.
Copy a file to the Clipboard	Open the Edit menu and select Load File into Clipboard.
Save contents of the Clipboard to a file	Open the Edit menu and select Save Clipboard, and then specify the file name.
Combine (mix) two sounds by copying one sound <i>mv</i> the other	Copy or cut a segment, select a segment in the file you want to mix, and then open the Edit menu and select Mix Paste.
Locate and display the highest volume level (amplitude) within a selected segment	Open the Transforms menu and select Find Peak.
Change positive amplitude values to negative, and vice versa	Open the Transforms menu and select Invert Samples.
Center the display for a sound recorded with an offset or adjust the offsets of a file after cutting and pasting data from different files	Open the Transforms menu and select DC Offset.
Paste a selected segment backwards	Open the Transforms menu and select Reverse.
Fade out the current file, fade in the data currently in the Clipboard, and then combine the sounds	Open the Transforms menu and select Crossfade.
Reduce a sound's sample rate by 50 percent	Open the Transforms menu and select Halve Sample Rate.
Convert a 16-bit file to 8-bit format	Open the Transforms menu and select 16 → 8 Bits.
Change a stereo file into a mono file	Open the Transforms menu and select Stereo - * Mono.
Convert an 8-bit PCM WAV file to Sound Blaster® VOC format	Open the Transforms menu and select WAV VOC.
Convert a VOC file to 8-bit PCM WAV format	Open the Transforms menu and select VOC - WAV.
Change the sample rate	Open the Transforms menu and select Change Speed.

Note

^ For additional information about how to use these functions, see the online help.

Recording a WAV File

You can make WAV recordings easily using the WAV Player or AudioView.

- 1 Select an input source (such as Mic or CD) in the Mixer and set its record volume level. See "Using the Mixer" on page 40 for details.
- 2 If you want to record from the CD-ROM drive or from an external source (such as a tape deck), find the selection you want to record.
- 3 Click (Record) on the WAV Player or AudioView display. The red light blinks, indicating that the player is in Record Standby mode.
- 4 Click **I > I** (Play) to begin recording. Speak into the microphone or start playing the material you prepared in step 2.
- 5 If necessary, click (Pause) to pause temporarily during recording. Click (Pause) again to resume recording.

Note

*^ Be sure to use the **I » I** (Pause) button to resume recording. If you click **I > I** (Record) to resume recording, it will erase the existing recording and start a new one.*

- 6 Click (Stop) after you finish recording.
- 7 If you are using AudioView to record, the display shows a graphical representation of the recording.
- 8 Click **I » I** (Play) to hear the recording.

Note

^ You can repeat steps 2 through 8 until you are ready to save the recording.

- 9 When you're ready to save the recording, open the File menu and select Save, and then type a file name.

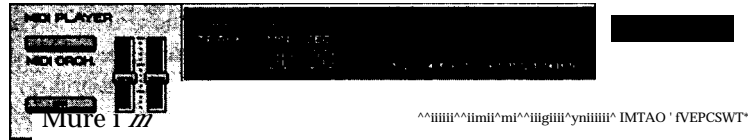
Note

^ Change drives and folders, as necessary, to save the file to the correct location. If you don't want to save the recording, record over it or close the file.

- 10** Click the OK button to save the file.

Using the MIDI Player

The MIDI Player plays and records standard MIDI (.MID) music files. You can also make playlists of your favorite music to play during current and future listening sessions.



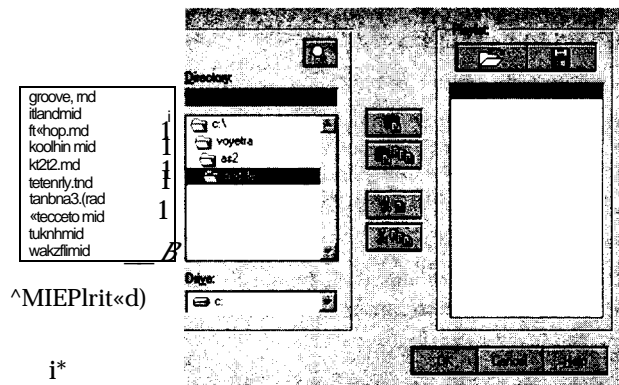
The MIDI player also includes the MIDI Orchestrator, a tool that enables you to record and play as many as 16 tracks. You can access the MIDI Orchestrator by clicking the MIDI ORCH button on the MIDI Player. For more information about using the MIDI Orchestrator, see the online help.

Playing a MIDI File

You can open and play individual MIDI files, or you can create a list of specific MIDI files to play.

To play a MIDI file

- 1 Click the MIDI Player on the A/V Wall.
- 2 Click PLAYLIST to display the MIDI Playlist dialog box.



- 3 Select a MIDI file from the Name list, and then click the OK button.
- 4 Click Play to hear the music.

Other MIDI Player Functions

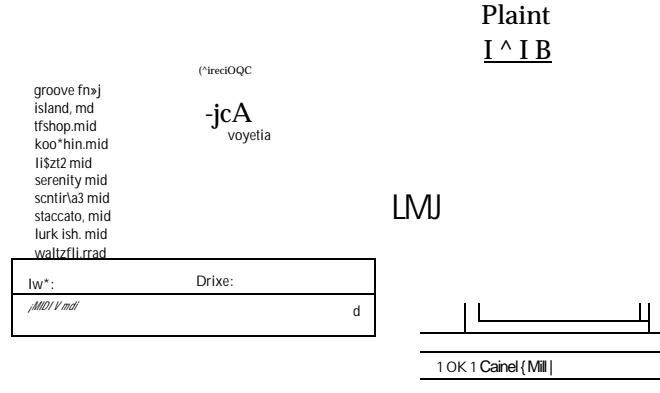
Action	Procedure
Mute the sound	Click MUTE.
Stop play	Click (Stop).
Pause play	Click (Pause).
Create or update a playlist	Click PLAYLIST. See "Creating MIDI Playlists" on page 64.
Go to the next file in the playlist	Click <u>I»X 1</u> (Next).
Go to the beginning of the current file in the playlist	Click <u>IHWI</u> (Previous).
Rewind the current file	Click and hold G (Rewind).
Fast forward the current file	Click and hold D (Fast Forward).
Play the playlist files in random order	Click SHUFFLE.
Adjust the volume	Drag the MIDI volume sliders on the MIDI Player or the Mixer. See "Using the Mixer" on page 40.
Play an intro to each file in the playlist	Click INTRO.
Play the current playlist files in the order in which they appear	Click CONTINUE.
Continuously play ("loop") the current playlist files in the order in which they appear	Click REPEAT.
Record a MIDI music file	Click <u>I • I</u> (Record). See "Recording a MIDI File" on page 68.

Creating MIDI Playlists

You can create or customize a playlist of the MIDI files you want to play (such as files of an individual composer or files from your own recording sessions). You can add files one at a time, or you can add a group of files.

To create and customize a MIDI playlist

- 1 Click the MIDI Player on the A/V Wall.
- 2 Click the PLAYLIST button to display the MIDI Playlist dialog box.



Note

To play a music file, select the file, and then click | (Play). To play the files you select automatically, click Q (Automatically Play Highlighted File).

- 3 Select the MIDI files you want to add to the playlist, changing drives and folders, as necessary:

Action	Procedure
Copy one file in the Names list to the playlist	Double-click the file, or select the file, and then click I B I (Add Selection).
Copy all files in the Names list to the playlist	Click iBtel (Add All Files).
Copy a range of files in the Names list to the playlist	Press the SHIFT key on the keyboard while clicking the first and last files in the range, and then click I B (Add Selection).
Copy selected file in the Names list to the playlist	Press the CTRL key on the keyboard while clicking each file, and then click f B I (Add Selection).
Find all MIDI files on the selected drive	Click 151 (Search Selected Drive).

- 4 Click **I B I** (Save File), and then type a file name.

Note

*^ Change drives and folders, as necessary, to save the file to the correct location.
The MIDI playlist file extension defaults automatically to VML.*

- 5 Click the OK button to save the file.

Note

^ You can add MIDI files to a playlist by opening the playlist and selecting the files you want to add. To remove files from a playlist, see "Removing Files from a MIDI Playlist" on page 67.

Playing a MIDI Playlist

If you have more than one MIDI playlist, you must select which list you want to play. If you have only one playlist, just click |>| (Play) on the MIDI Player.

To play a MIDI playlist

- 1 Click the MIDI Player on the A/V Wall.
- 2 Click the PLAYLIST button to display the MIDI Playlist dialog box.
- 3 Click I g I (Open File), and then select the file you want to open.

Note

^ Change drives and folders, as necessary, to select a file.

- 4 Click the OK button to open the file and return to the MIDI Playlist dialog box.
- 5 Click the OK button to return to the MIDI Player.
- 6 Click I» I (Play) to hear the music in the playlist.

Removing Files from a MIDI Playlist

If you don't want to hear specific files in a MIDI playlist, you can remove them from the list.

To remove files from a MIDI playlist

- 1 Click the MIDI Player on the A/V Wall.
- 2 Click the PLAYLIST button to display the MIDI Playlist dialog box.
- 3 Select the MIDI files you want to remove from the playlist:

Action	Procedure
Remove one file from the playlist	Select the file, and then click ↓↓ (Delete Selection).
Remove all files from the playlist	Click (Delete All Selections).

- 4 Click **i'dd'** (Save File), and then type a new file name or select the name of the current playlist.
- 5 Click the OK button to save the file.

Note

^ If you selected the name of the current playlist, click the Yes button in the next dialog box, which asks whether you want to overwrite the file.

Recording a MIDI File

You can make MIDI recordings easily using the MIDI Player and a MIDI instrument. Before you record a MIDI file, you must connect a MIDI instrument to the MIDI interface connector on the back panel of your Sony PC (see "Connecting a Joystick or MIDI Instrument" on page 14).

- 1 Click the MIDI Player on the A/V Wall.
- 2 Click (Record). The red light blinks, indicating that the MIDI Player is in Record Standby mode.
- 3 Click (Play) to begin recording, and then start playing the MIDI instrument.

If necessary, click (Pause) to pause temporarily during recording. Click (Pause) again to resume recording.

Note

Be sure to use the |»| (Pause) button to resume recording. If you click || (Record) to resume recording, you erase the existing recording and start a new one.*

- 5 After you finish recording, click (Stop).
- 6 Click I (Play) to hear the recording.

Note

^ You can repeat steps 1 through 6 until you are ready to save the recording.

- 7 When you're ready to save the recording, open the file menu and select Save, and then type a file name.

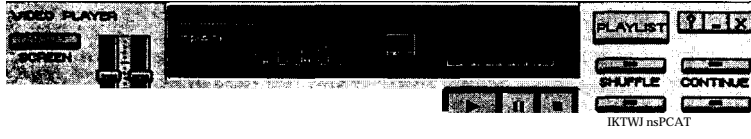
Note

A Change drives and folders, as necessary, to save the file to the correct location. If you don't want to save the recording, record over it or close the file.

- 8 Click the OK button to save the file.

Using the Video File Player

The Video File Player plays AVI (.AVI) and MPEG (.MPG and .DAT) videos on your Sony PC. You can use it to make playlists of your favorite videos to play during current and future viewing sessions. You can view playlists in a small window or in a full screen as a screen saver.



Creating Video Playlists

You can create a playlist of your favorite video files or of specific types of video files (such as movie clips or software demos).

To create and customize a video playlist

- 1 Click the Video File Player on the A/V Wall.
- 2 Click the PLAYLIST button to display the Video Playlist dialog box.

m

I I B

CLOSEWIN.AVI
ORAGDROP.AVI
EXPLORER.AVI
FIND.AVI
MOVEWIN.AVI
PASTE.AVI
SCROLL.AVI
SIZEWIN.AVI
SPLASH.AVI
TASKSWCH.AVI

XiPa:

-J All Video files

Ila*

- 3 Select the video files you want to add to the playlist, changing drives and folders, as necessary:

Action	Procedure
Copy one file in the Names list to the playlist	Double-click the file, or select the file and then click B I (Add Selection).
Copy all files in the Names list to the playlist	Click [(Add All Files).
Copy a range of files in the Names list to the playlist	Press the SHIFT key on the keyboard while clicking the first and last files in the range, and then click I <1 I (Add Selection).
Copy selected files in the Names list to the playlist	Press the CTRL key on the keyboard while clicking each file, and then click f tp (Add Selection).
Find all video files on the selected drive	Click Id] (Search Selected Drive).

- 4 Click **[** **I** (Save File), and then type a file name.

Note

Change drives and folders, as necessary, to save the file to the correct location. The video playlist file extension defaults automatically to VVL.

- 5 Click the OK button to save the file.

Note

^ You can add video files to a playlist by opening the playlist and selecting the files you want to add. To remove files from a playlist, see "Removing Files from a Video Playlist" on page 73.

Other Video File Player Functions

Action	Procedure
Change between full-screen, auto-size, and user-size mode	Click SCREEN.
Stop full-screen play	Click anywhere on the screen.
Mute the sound	Click MUTE.
Stop play	Click (Stop).
Pause play	Click <u> n </u> (Pause).
Go to the next video in the playlist	Click <u>II</u> (Next).
Go to the beginning of the current video in the playlist	Click <u>I 1< I</u> (Previous).
Rewind the current video	Click and hold <u>I »< I</u> (Rewind).
Fast forward the current video	Click and hold <u>I »» 1</u> (Fast Forward).
Play the playlist videos in random order	Click SHUFFLE.
Adjust the volume	Drag the volume sliders on the Video File Player.
Play an intro to each file in the playlist	Click INTRO.
Play the current playlist files in the order in which they appear	Click CONTINUE.
Continuously play ("loop") the current playlist files in the order in which they appear	Click REPEAT.

Playing a Video Playlist

If you have more than one Video playlist, you must select which list you want to play. If you have only one playlist, just click ⌘▶ (Play) on the Video File Player.

To play a video playlist

- 1 Click the Video File Player on the A/V Wall.
- 2 Click the PLAYLIST button to display the Video Playlist dialog box.
- 3 Click ⌘O (Open File), and then select the file you want to open.

Note

^ Change drives and folders, as necessary, to select a file.

- 4 Click the OK button to open the file and return to the Video Playlist dialog box.
- 5 Click the OK button to return to the Video File Player.
- 6 Click ⌘▶ (Play) to begin viewing the videos in the selected playlist.

Removing Files from a Video Playlist

If you don't want to view specific files in a Video playlist, you can remove them from the list.

To remove files from a video playlist

- 1 Click the Video File Player on the A/V Wall.
- 2 Click the PLAYLIST button to display the Video Playlist dialog box.
- 3 Select the video files you want to remove from the playlist:

Action	Procedure
Remove one file from the playlist	Select the file, and then click j (Delete Selection).
Remove all files from the playlist	Click (Delete All Selections),

- 4 Click **I B I** (Save File), and then type a new file name or select the name of the current playlist.
- 5 Click the OK button to save the file.

Note

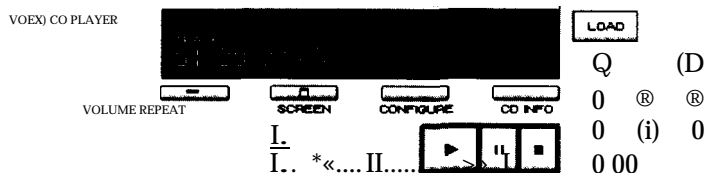
^ If you selected the name of the current playlist, click the Yes button in the next dialog box, which asks whether you want to overwrite the file.

Using the Video CD Player

The Video CD Player plays CDs in the Video CD format, such as Karaoke and enhanced CDs.

To play a Video CD

- 1 Click the Video CD Player on the A/V Wall to display the Video CD Player and the viewing screen.



- 2 Click **I** (Eject) to open the CD tray.
- 3 Place a Video CD in the CD tray.
- 4 Gently push the CD tray to close it.
- 5 Click the **LOAD** button to play the video.

Note

^ Video CDs that include a player will play automatically.

If the video is interactive and asks you to make a choice, click a number on the Video CD Player numeric keypad to make your selection.

Other Video CD Player Functions

Action	Procedure
Select an option on the video screen	Click the numbered button that corresponds to your selection (for example, click to select 1).
Control an interactive sequence (selection function)	Click pn (Play) .
Mute the sound	Click MUTE ,
Stop play	Click I (Stop).
Pause play	Click ! (Pause).
Resume play when the video is paused	Click (Play) .
Go to the next track (interactive CDs only)	Click (Next) .
Go to the beginning of the current track (interactive CDs only)	Click lltiff (Previous).
Rewind the current track	Click and hold [(Rewind).
Fast forward the current track	Click and hold I > * t (Fast Forward).
Increase the volume	Click I' » 1 (Volume Up).
Reduce the volume	Click [*•! (Volume Down).
Return to a previous interactive menu	Click @ (Return).
Continuously play the Video CD	Click REPEAT .
Change the resolution for interactive video still pictures	Click SCREEN to toggle between HiRes (high resolution) and LoRes (low resolution).
Play the Video CD at approximately double speed	Click SEARCH .
Specify the output mode	Click CONFIGURE , and then click Mono or Stereo.
Specify the audio quality	Click CONFIGURE , and then select AM, FM, or CD in the Quality list.

Action	Procedure
Enable Karaoke mode for video CDs with Karaoke content	Click CONFIGURE, and then select the Karaoke check box.
Enable or disable the audio	Click CONFIGURE, and then, under Audio, select the Disabled check box.
Adjust the initial size of the video window	Click CONFIGURE, and then select the appropriate option from the Open Size list.
Adjust the display rate	Click CONFIGURE, and then select the appropriate option from the Display list.
Enable or disable synchronized video playback	Click CONFIGURE, and then select the Synchronized Playback check box.
Enable or disable the video	Click CONFIGURE, and then, under Video, select the Disabled check box.
Reset the configuration defaults	Click CONFIGURE, and then click the Default button.
Change the CPU resources dedicated to running the video	Click CONFIGURE, and then drag the scroll box in the CPU area.
Specify the audio mode	Click AUDIO until the mode you want appears in the video window (Mono, Stereo, Left, or Right).
List information about the CD	Click CD INFO.
Open or close the CD tray	Click (Eject).

Notes

^ Click the OK button to save any configuration changes you make in the Configuration window.

For additional information about how to use these functions, see the online help.

Using More A/V

More A/V displays additional software titles that came with your Sony PC. You can add your own audio/video titles for quick access. For information on adding software to the More A/V area, see "Adding and Removing Applications in VAIO Space" on page 26.

To run a program from More *A/V*

- 1 Click More A/V on the A/V Wall.
- 2 Double-click the application you want to run.

Getting' Help

Sony provides several support options for your Sony PC. When you have questions about your PC and the preinstalled software, check these places for answers:

This guide explains how to set up and upgrade your computer, use VAIIO Space and the A/V Suite software, and perform basic computer tasks.

The online *System Reference Manual* provides detailed information about the hardware in your Sony PC, as well as how to setup and upgrade your system. You can access the online *System Reference Manual* from the Start menu.

The other manuals and online help files that may accompany your preinstalled software contain instructions on using these titles. Some applications include a printed manual, but most of the manuals are located on your hard disk drive as online help files. You can access the online help files from the Sony Folder on the Start menu or from the Help menu in the specific application.

The *About Your Sony PC* guide lists the telephone support numbers for your preinstalled software titles. This guide also includes a packing list and technical specifications for your Sony PC.

The Sony Sales and Marketing Support number offers information about your Sony PC and other Sony products that work with your PC. To contact Sony Sales and Marketing Support, call 1-888-4SONYPC (1-888-476-6972).

The Sony Fax-back service provides you with answers to commonly asked questions. You can use this automated service to request a list of available topics and then select the topics that you want to receive. To contact the Sony Fax-back service, call 1-888-4SONYPC (1-888-476-6972).

The Sony e-mail support service answers your questions by electronic mail. Just send your question in an e-mail message, and a Customer Service Representative will send you a reply with the answer. To send a question to Sony e-mail support, address the message to SOS@info.sel.sony.com.

The SOS software connects you to a Customer Support Representative. SOS is available toll-free 24 hours a day, seven days a week. You can contact SOS by telephone or by using your built-in modem. Be sure to connect your modem before you call, so that the representative can access your system if necessary. For information on calling SOS with your built-in modem, see the next section, "Calling SOS." To call SOS using your telephone, dial 1-888-4SONYPC (1-888-476-6972).

Calling SOS

The SOS application enables you to exchange information with a Sony Customer Support Representative (CSR). Using the built-in speakerphone is the most convenient way to contact SOS. Here's how it works:

- Type your name and a description of the problem in the SOS window
- Dial the SOS hotline with a single click of the mouse
- Specify the access level for the CSR
- The CSR resolves the problem

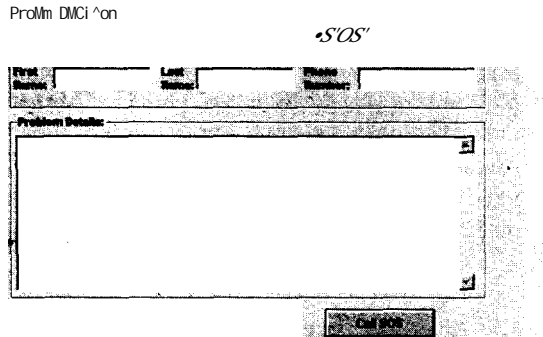
Before using SOS, make sure the PC is connected to a phone line as described in "Connecting the Phone Line and Phone" on page 11. If you do not have a phone line connected to your PC, you can call SOS by dialing 1-888-4SONYPC (1-888-476-6972).

Note

If you call SOS using the speakerphone and you need to reboot your PC, you will lose your connection to SOS. For this reason, it is recommended that you connect a regular telephone to the Sony PC as described in "Connecting the Phone Line and Phone" on page 11. You can then take the receiver off the hook to maintain the connection while you reboot the PC.

To place a call to SOS

- 1 Click the SOS icon in the VAIO Space Sky, or select SOS from the Sony Folder on the Start menu.



- 2 In the SOS window, type your name, phone number, and a description of the problem.
- 3 Call SOS:

If you are using the built-in speakerphone, click the Call SOS button.,

If you are using a regular telephone that you connected to your PC, remove the phone from the receiver, and then click the Call SOS button.

- 4 When the Remote Command Security dialog box appears, select an access level by clicking one of these options:

Option	Description
Full access	Allows the CSR to fully interact with your PC. The CSR can access all the files on your hard disk drive and can copy files to and from your PC to solve your problem.
Limited access	Lets the CSR view your system, but you must approve every action the CSR takes. If the CSR wants to copy a file, for example, the Remote Command Permission dialog box prompts you to approve this action.
No access	Prevents the CSR from accessing your system. You must perform all the operations as described to you by the CSR.

Note

^ You can change the access level during your call to SOS.

Discuss the problem with the CSR and follow the CSR's instructions to resolve the problem.

Notes

^ Yoii may hear beeps on the line as the system szwitches between voice and data modes. You can ignore these beeps.

When a file is being transmitted between your PC and SOS, a status box displays the progress of the file transfer.

To end a call placed with the speakerphone, click the SpeakerPhone button. Otherwise, just hang up the phone when you finish a call.

Click the Close box at the top right corner of the SOS window or select Exit from the File menu to close the SOS window.

Troubleshooting

This section describes how to solve common problems you may encounter when using your PC. Many problems have simple solutions, so try these suggestions before you call Sony Online Support. For more advanced troubleshooting information, see the online *System Reference Manual*.

My PC won't start

Check that the PC is plugged into a power source and that it is turned on. Check that the power light is lit on the front panel of the PC.

Make sure a diskette is not in the diskette drive.

Confirm that the power cord and all cables are connected firmly, as described in the "Setting Up Your Sony PC" chapter.

If you plugged the PC into a power strip or UPS, make sure the power strip or UPS is turned on and working.

Check that the display is plugged into a power source and turned on. Check that the brightness and contrast controls are adjusted correctly. See the manual that came with your display for details.

My PC "locks up"

Try restarting the PC. On the Windows taskbar, click the Start button, click Shut Down, and then click Restart the computer.

If you cannot restart as described in the preceding step, you can restart the PC by pressing CTRL+ALT+DELETE.

Caution

As. Pressing CTRL+ALT+DELETE may result in losing changes made to files that are currently open.

My CD-ROM drive tray won't open

Make sure the PC is turned on.

Press the Eject button on the CD-ROM drive.

If the Eject button does not work, you can open the CD tray by inserting a straightened heavy-weight paper clip into the hole beside the Eject button.

I cannot play a CD-ROM disc

Make sure you place the disc in the tray with the label side facing up.

-J Make sure the CD-ROM software is installed according to the program's instructions.

I installed a new application, and I can't find it in VAIO Space

✓ After you install a new application, you need to add it to VAIO Space. See "Adding and Removing Applications in VAIO Space" on page 26 for details.

When I double-click an application icon, a message such as "You must insert the application CD into your CD-ROM drive" appears and the software does not start

_i Some titles require specific files that are located on the application's CD-ROM disc. Insert the disc and try starting the program again. Check to make sure you inserted the CD-ROM disc with the label side facing up.

My software program "locks up" or crashes

Contact the software publisher or designated provider for technical support. See the *About Your Sony PC* guide for a complete list of phone numbers.

My speakers have no sound

Check that the speakers are plugged into the HEADPHONES connector. See "Connecting the Sony Multimedia Computer Display" on page 7 or "Connecting a Display, Speakers, and a Microphone" on page 8 for details.

If the speakers have a mute button, make sure it is off.

If the speakers are powered by batteries, check that the batteries are inserted properly and that they are charged.

If the speakers use an external power source, make sure that the power cord is plugged into a grounded wall outlet or power strip.

If the speakers have their own volume control, check the volume level.

If the program you are using has its own volume control, check that the volume is turned up.

Check the volume controls in the application, in the Sony A/V Suite Mixer, and in Windows 95.

My modem doesn't work

Check that the phone line is plugged into the LINE jack. See "Connecting the Phone Line and Phone" on page 11 for details.

Check that the phone line is working. You can check the line by plugging in an ordinary phone and listening for a dial tone.

Check that the phone number the program is dialing is correct.

Check that the software you are using is compatible with the Sony PC modem. (All preinstalled programs are compatible.) Call the software publisher or Sony Online Support.

My microphone doesn't work

Check that the microphone is plugged into the MIC connector. See "Connecting the Sony Multimedia Computer Display" on page 7 or "Connecting a Display, Speakers, and a Microphone" on page 8 for details.

My mouse doesn't work

Check that the mouse is plugged into the MOUSE connector. See "Connecting the Keyboard and Mouse" on page 10 for details.

There may be dust or dirt inside the mouse mechanism. To clean the mouse, follow these steps:

Turn off your PC. See "Shutting Down Your Sony PC" on page 35 for details.

Remove the mouse ball cover on the back side of the mouse.

Turn the mouse upright, and drop the mouse ball into your hand.

Using a piece of tape, remove any dust or dirt on the mouse ball and inside the mouse ball socket.

Return the mouse ball to the socket, and replace the mouse ball cover.

My keyboard doesn't work

Check that the keyboard is plugged into the KEYBOARD connector. See "Connecting the Keyboard and Mouse" on page 10 for details.

I can't find the Windows 95 taskbar

Use the mouse to point to the bottom of the screen below the VAIO Space Floor area. The taskbar should come into view.

If you still don't see the taskbar, someone may have changed the taskbar's position. Point to the left, right, and top edges of the screen.

I can't make the VAIO Space wall that I want to use rotate into view

Point to the wall you want to use, wait for the green arrow to appear, and then click the wall.

I can't use two different applications at the same time in VAIO Space

Click the Settings icon on the VAIO Space Floor. Under VAIO Space Setting, select VAIO background mode.

Using the Recovery CD

You can restore the software titles on your computer if they become corrupted or accidentally erased. The Recovery CD contains a backup copy of the software originally installed on your hard disk drive. It can be used *only* with a Sony PC. You can choose to:

Restore all the software titles that originally came with your computer without formatting the hard disk

Format the hard disk drive and then restore all the original software

Caution

Formatting the hard disk drive removes all the information on the hard disk. If you choose this option, you will lose any software you've installed and any other files you've created since you started to use your computer. This means you will have to reinstall any applications that were not included with the computer when you purchased it. If you choose to restore all software titles without formatting the hard disk drive, you may need to reinstall applications that were not included with the computer when you purchased it. If you have any questions on using the Recovery CD, contact Sony Online Support (SOS).

To use the Recovery CD

Note

^ Your PC may include more than one Recovery CD.

Insert the Sony PC Recovery CD in the CD-ROM drive.

Shut down your PC as described on page 35.

Wait 30 seconds and turn on your PC.

Click OK on the Welcome screen.

When the Recovery menu appears, follow the on-screen instructions to complete the recovery process.

i



Upgrading and Maintaining Your Sony PC

In the future you may want to install additional boards to expand the functionality of your PC. This section describes how to open your PC and insert add-in boards, add memory, and replace the cover. This section also explains how to change the lithium battery. For more information on upgrading your Sony PC, see the online *System Reference Manual*.

The procedures in this section assume that you are familiar with the general terminology associated with personal computers and with the safety practices and regulatory compliance required for using and modifying electronic equipment. Read "Notes on Use" on page 109 before upgrading your Sony PC.

Caution

Always switch the power off before you open the system or connect your PC to peripheral equipment; otherwise, damage may occur to the integrated circuits in your PC.

Electrostatic discharge (ESD) can damage disk drives, add-in cards, and other components. Do the procedures described here only at an ESD workstation. If such a station is not available, do not work in a carpeted area and do not handle materials that produce or hold static electricity (cellophane wrappers, for example). Ground yourself by maintaining continuous contact with an unpainted metal portion of the chassis while performing the procedure.

Removing the Cover

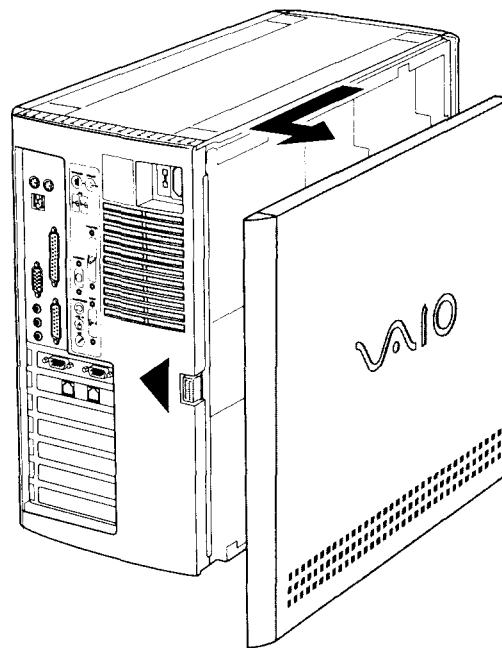
To insert an add-in board, add memory, or replace the lithium battery, you need to open your Sony PC. You must remove the panels in a specific order: the left side panel, the rear panel, and the I/O bracket.

Note

When replacing the lithium battery, you must perform some initial steps before removing the cover. See "Replacing the Lithium Battery" on page 97 for details.

To remove the left side panel

- 1 Push the rear latch to release the left side panel.
- 2 Slide the panel back until it stops.
- 3 Pull the panel straight out to remove it.

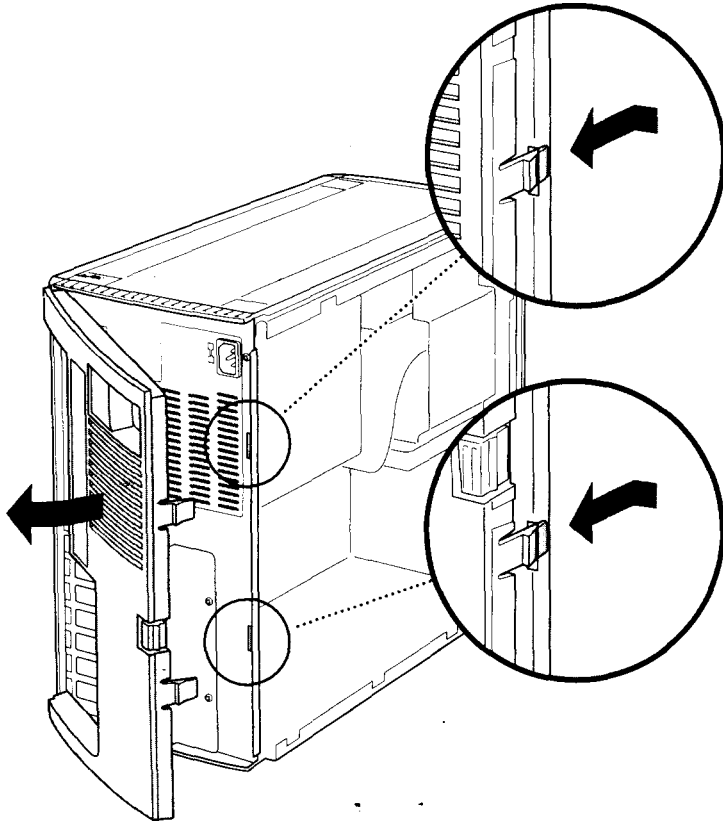


To remove the rear panel

Note

^ You do not need to remove the rear panel to replace the lithium battery.

Push the tabs to unsnap and remove the rear panel.

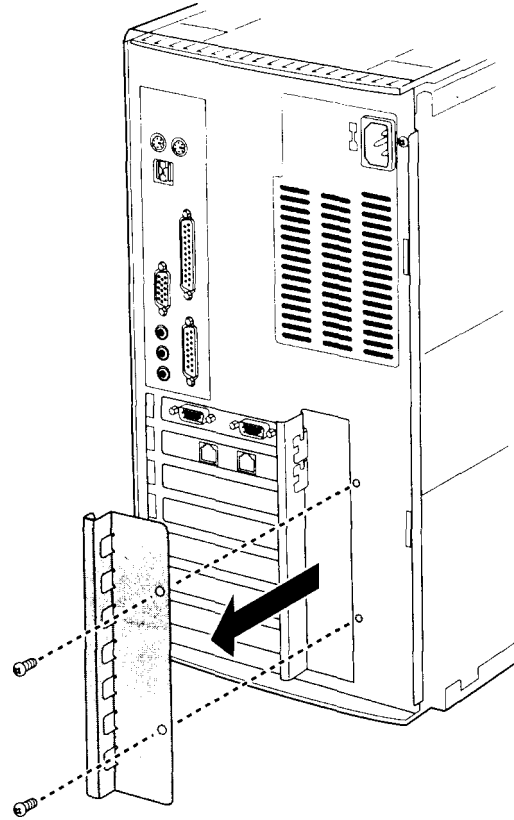


To remove the I/O bracket

Note

^ You do not need to remove the I/O bracket to add memory or replace the lithium battery.

If you are installing or removing an add-in board, unscrew the I/O bracket.



Inserting an Add-in Board

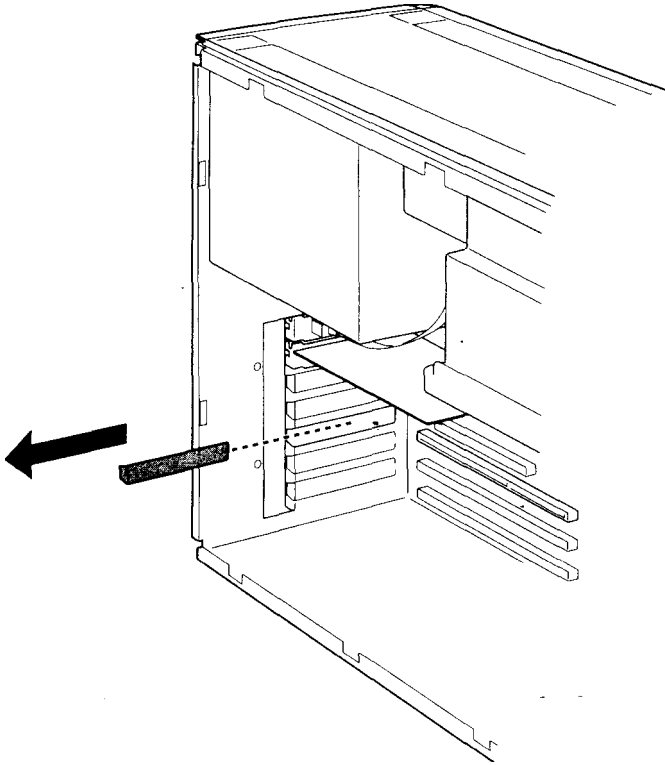
You can add ISA or PCI boards to the system. After removing the side and rear panels and the I/O bracket, identify the connector where you want to insert the add-in board.

Caution

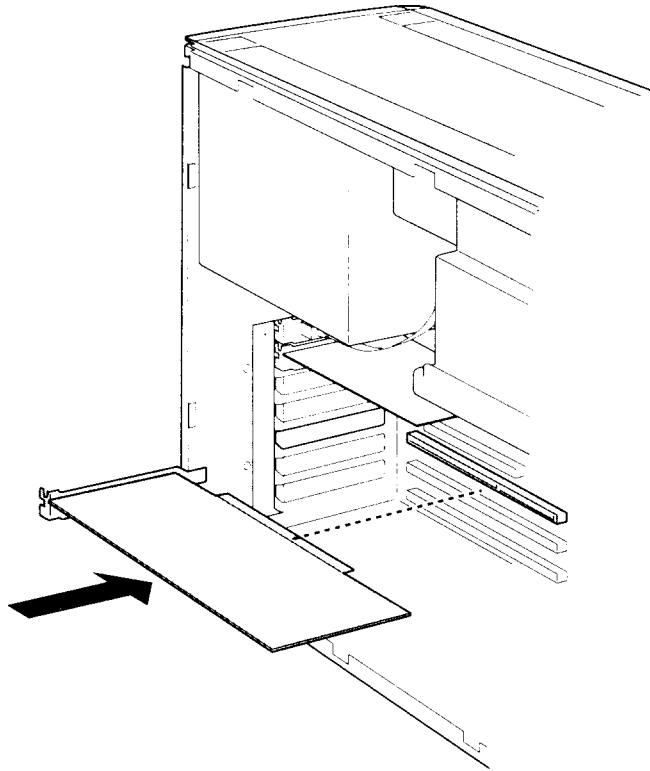
Make sure you observe the proper safety precautions when you add boards to your Sony PC. See "Notes on Use" on page 109.

To insert an add-in board

- 1 Shut down your PC, turn off all peripheral devices, such as your printer, display, and speakers, and then unplug your PC.
- 2 Remove the side and rear panels and the I/O bracket as described on page 90.
- 3 Remove the slot cover for the slot you have chosen.



- 4 Install the add-in card by plugging it into the connector on the system board. Attach any internal cables that the board requires (see the manual for the add-in card).



- 5 Replace the cover as described on page 99.

Adding Memory

You can install additional SIMMs (single in-line memory modules) in your PC, to a maximum of 128 megabytes (MB).

Note

^ You must install SIMMs in pairs. Fill each memory bank with SIMMs of the same type (Fast Page or EDO), speed (60 ns), and size (4, 8, 16, or 32 MB).

Total System Memory	1 Memory in Bank 0^		Memory in Bank V	
	Socket 1	Socket 2	Socket 1	Socket 2
32 MB*	16 MB	16 MB	Empty	Empty
40 MB	16 MB	16MB	4 MB	4 MB
48 MB	SMB	SMB	16 MB	16 MB
64 MB	16 MB	16 MB	16 MB	16 MB
64 MB	32 MB	32 MB	Empty	Empty
72 MB	32 MB	32 MB	4 MB	4 MB
80 MB	SMB	SMB	32 MB	32 MB
96 MB	16 MB	16 MB	32 MB	32 MB
128 MB	:32 MB	32 MB	32 MB	32 MB

32 MB is the default memory amount for PCV-70 and PCV-90.

** The memory options in Bank 0 and Bank 1 are interchangeable.*

Caution

Make sure you observe the proper safety precautions when you add SIMMs to your Sony PC. See "Notes on Use" on page 109.

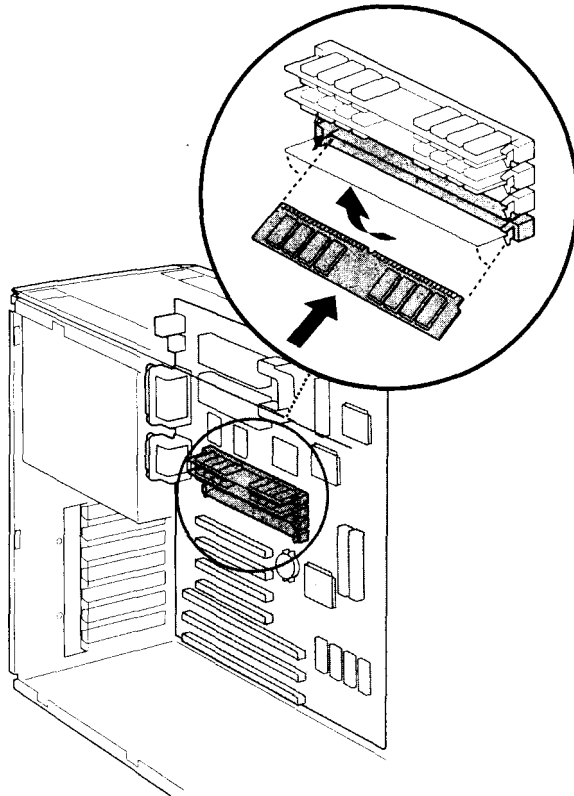
To install memory

- 1 Shut down your PC, turn off all peripheral devices, such as your printer, display, and speakers, and then unplug your PC.
- 2 Remove the side and rear panels as described on pages 90-91.
- 3 If necessary, remove any add-in cards or other components to access the SIMM sockets.
- 4 Handle the SIMM only by the edges, and remove it from its anti-static package.

- 5 Hold the SIMM with the chips face up and align the SIMM over the SIMM socket as shown.
- 6 Firmly insert the SIMM at an angle into the bottom edge of the SIMM socket. Press evenly against the edge of the SIMM as you raise it into the SIMM socket.

Caution

A \ To avoid damaging the SIMM socket, move the SIMM socket tabs slightly outward to relieve pressure. The SIMM should then click easily into place.



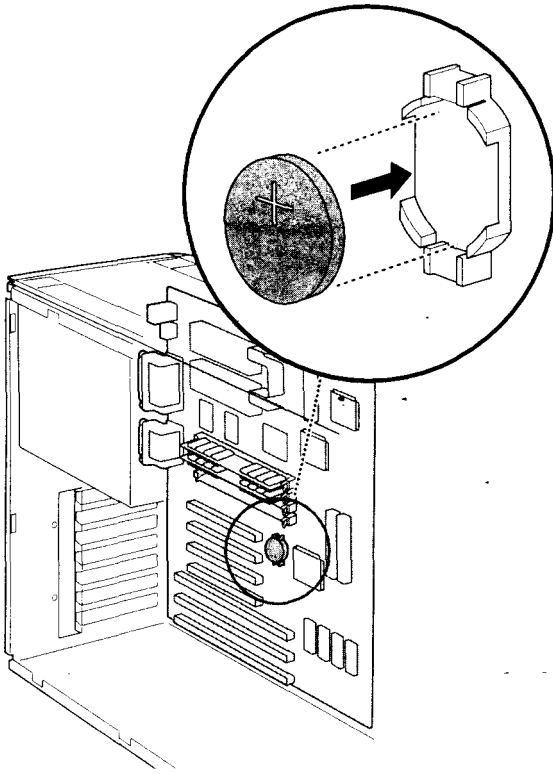
- 7 Reinstall any add-in cards or components you removed.
- 8 Replace the side and rear panel as described on page 99.

Replacing the Lithium Battery

After several years, when the lithium battery starts to weaken, the system settings stored in CMOS RAM, such as the date and time, may be wrong. When this occurs, you need to replace the lithium battery.

To replace the lithium battery

- 1 To run the Setup utility, press F3 for a few seconds while rebooting your PC, then press and hold F1 to run the BIOS setup utility.
- 2 Write down the current BIOS Setup options.
- 3 Shut down your PC, turn off all peripheral devices, such as your printer, display, and speakers, and unplug your PC.
- 4 Remove the side panel as described on page 90.
- 5 If necessary, remove any add-in cards or other components to access the CMOS battery socket, and gently pry the battery from the socket.



- 6 Install the new battery with the plus (+) side up.

WARNING

A \There is danger of explosion if you replace the battery incorrectly. You must replace the battery only with a CR2032 type lithium battery. Discard used batteries according to the instructions on page 210.

- 7 Reinstall any add-in cards that were removed, and replace the side panel as described on page 101.

Note

^The values stored in the CMOS memory are now reset to the factory default values. You must run the Setup utility to reset the date, time, passwords, and other options. See the online System Reference Manual for details.

- 8 To run the Setup utility, press F3 for a few seconds while rebooting your PC, then press and hold F1 to run the BIOS setup utility.
- 9 Change the default values to the values you wrote down in step 2.
- 10 Save your Setup changes, and then exit the Setup utility.

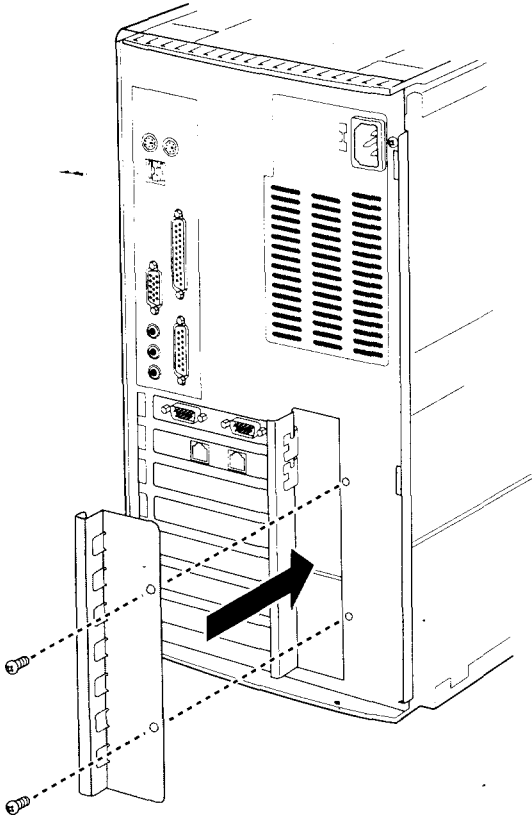
Replacing the Cover

Replace the panels in the following order:

To replace the cover

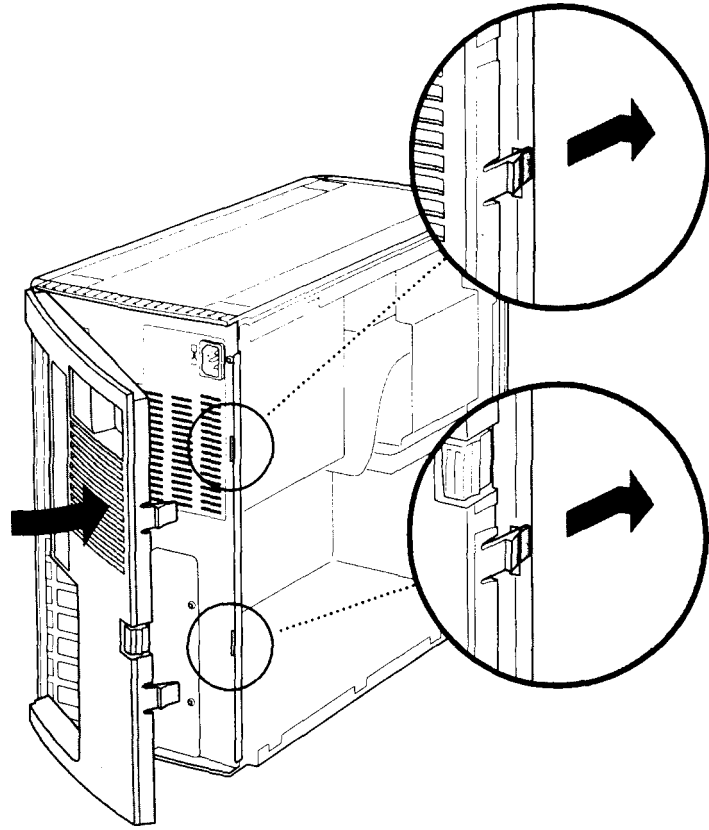
1 Replace the I/O bracket.

Use the two screws to hold it in place.

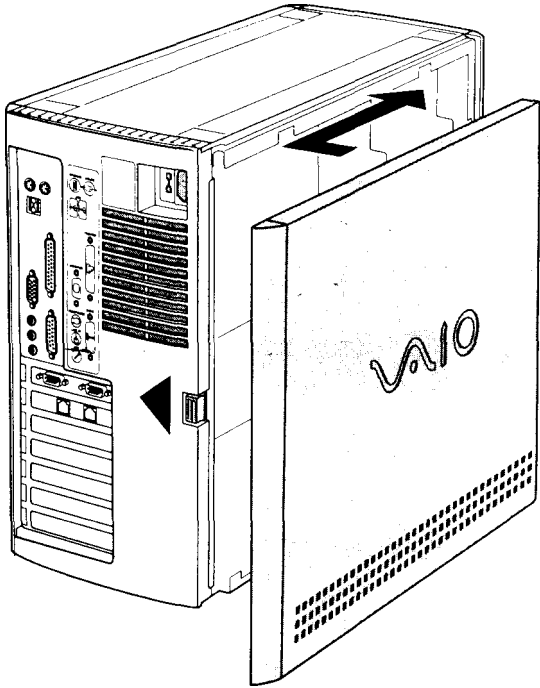


2 Replace the rear panel.

Make sure the tabs snap into place.



.3 Replace the side panel.

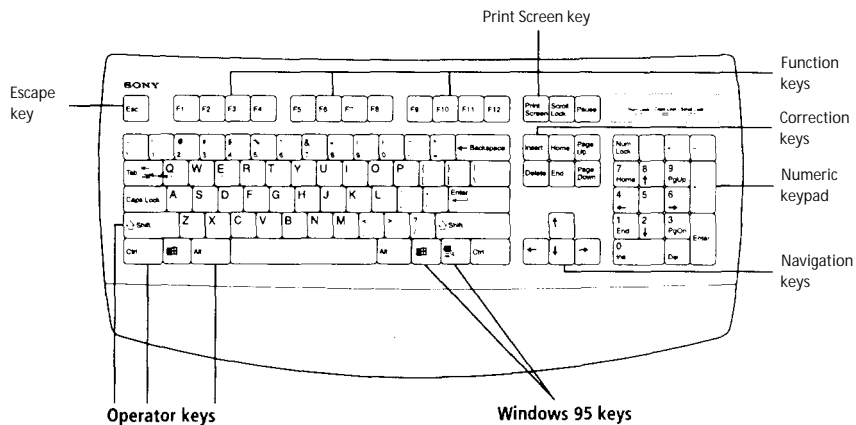


I

Computer Basics

Using the Keyboard

Your keyboard is very similar to a typewriter's, but the keyboard has additional keys that perform specific computer-related tasks.



Key	Description
Numeric keypad	Contains the keys found on a typical calculator. Use the numeric keypad to type numbers or to perform mathematical calculations such as addition and subtraction. Note that you must press NUM LOCK to activate the numeric keypad. (When you do so, the Num Lock light will be on.)
Navigation keys	Several keys are devoted to moving the cursor on the screen (the four arrow keys and the HOME, END, PAGE UP, and PAGE DOWN keys). These keys are also available on the numeric keypad when Num Lock is turned off.
Correction keys	The INSERT and DELETE keys enable you to make corrections in your documents. These keys are also available on the numeric keypad when Num Lock is turned off.

Key	Description
Function keys	The twelve function keys along the top of the keyboard are used to perform designated tasks. For example, in many applications, F1 is the Help key. The task associated with each function key may vary from one application to the next.
Escape key	The ESC (Escape) key is used to cancel commands
Print Screen key	The PRINT SCREEN key takes an electronic snapshot of the screen and places it in the Windows Clipboard. You can then paste the screen shot into a document and print it.
Operator keys	Several keys are always used with at least one other key: CTRL, ALT, and SHIFT. When held down with another key, the CTRL (Control) and ALT (Alternate) keys offer another way to give commands. For example, in many applications, instead of choosing the Save command from a menu, you can hold down CTRL and press S (referred to as CTRL+S). The SHIFT key operates the same way as on a typewriter; it's used to produce capital letters or special symbols such as @ and \$.
Windows 95 keys	The keys with the Windows logo display the Windows 95 Start menu; it's the equivalent of clicking the Start button on the taskbar. The Applications key displays a shortcut menu of context-sensitive choices; pressing this key is the equivalent of clicking the right mouse button.

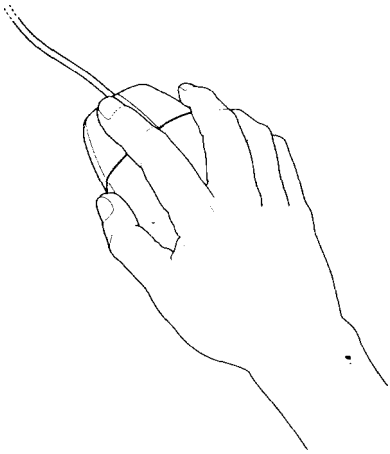
The keyboard also has three lights;

Light	On	Off
Num Lock	The number keys on the numeric keypad are active.	The arrow keys, navigation keys, and correction keys on the keypad are active.
Cap Lock	Letters appear in uppercase as you type. The SHIFT key lowers the case of typed letters when Cap Lock is on.	Letters appear in lower case as you type (unless you hold down the SHIFT key).
Scroll Lock	The screen scrolls differently. (Exactly how it scrolls depends on the specific application. It has no effect in many applications.)	Information moves across the display normally.

Using the Mouse

Using a mouse may be difficult at first, but after you become comfortable using it, you can save a lot of time. The following terms are commonly used to describe actions you perform with a mouse.

Term	Description
Point	Place the mouse pointer on an item or object.
Click	Press and release the left mouse button, without moving the mouse.
Double-click	Press the left mouse button two consecutive times, without moving the mouse.
Right-click	Press the right mouse button. In many applications, this action displays a shortcut menu of context-sensitive choices.
Drag	Hold down the left mouse button and then move the mouse in the desired direction. This action is used to select text and move objects.



Setting Up the Mouse for Left-Hand Use

You can control the mouse with your right or left hand. When you use the mouse with your left-hand, you may find it easier to reverse the button functions. When the functions are reversed, the right mouse button is used for normal clicking and dragging, and the left button is for displaying shortcut menus (right-clicking).

To set up the mouse for left-hand use

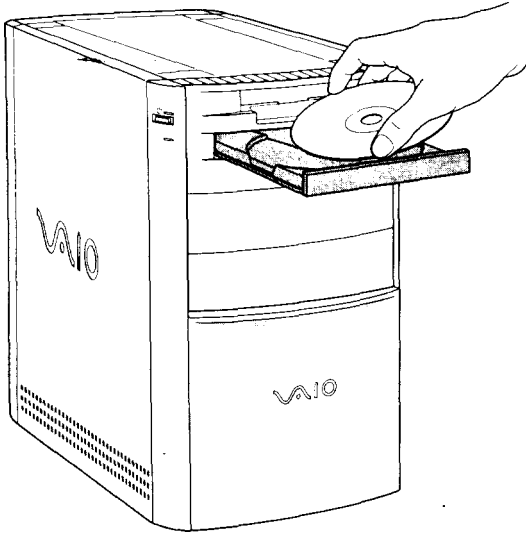
- 1 Click the Start button to display the Start menu.
- 2 Point to Settings.
- 3 Click Control Panel.
- 4 Double-click the Mouse icon.
- 5 Click the Buttons tab.
- 6 Under Buttons, select Left-handed.
- 7 Click the OK button to close the Mouse Properties dialog box.

Using the CD-ROM Drive

To use the CD-ROM drive, you must open the front panel. See "Accessing the CD-ROM and Diskette Drives" on page 18 for details.

To use the CD-ROM drive

- 1 Press the Eject button on the front panel of the PC to open the CD-ROM drive. The CD tray slides out.
- 2 Place the CD-ROM disc in the tray with the label side facing up.
- 3 Close the tray by pushing it gently or by pressing the Eject button.

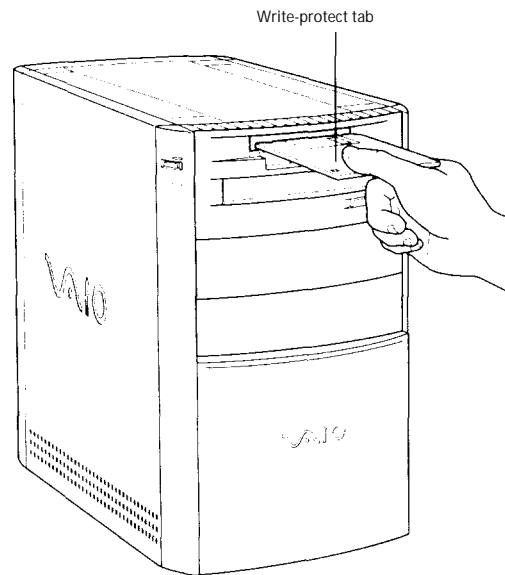


Using the Diskette Drive

To use the diskette drive, you must open the front panel. See "Accessing the CD-ROM and Diskette Drives" on page 18 for details. Most diskettes contain a write-protect tab. The write-protect tab prevents accidental changes to a diskette. When the hole is open, the diskette is write-protected—you can't delete, copy, or save information on the diskette. When the hole is closed, you may write to or modify the diskette contents. Just slide the write-protect tab to open and close the hole.

To use the diskette drive

- 1 Hold the diskette with the label side facing up.
- 2 Gently push the diskette into the drive until you hear it click into place.
- 3 After you finish using the diskette, press the Eject button on the diskette drive to remove the diskette.





other Information

Notes on Use

On the Power Source

Your PC operates on 100-120 V AC 50/ 60 Hz (for North American countries) or 220-240 V AC 50 Hz (for European countries).

Be sure to set the voltage setting switch to the correct setting before turning on the power; otherwise damage may occur.

The total power draw of installed add-in cards must not exceed the specifications for the power supply. Do not overload the system by installing add-in cards that draw excessive current. The system is designed to provide 2 amps (average) of 5V power for each card in the system not to exceed a total of 12 amps. The total 5V current draw in a fully-loaded system (with all the add-in card slots filled) must not exceed 12 amps. If you add components to the system that draw current from the power supply, the total combined +3.3V and +5V currents must not exceed 80 watts.

Plug all the power cords for your PC and its peripheral equipment into the same AC supply line. AC derived from different supply lines may result in voltage differences that can cause unstable operation or unwanted weak currents at the time of connection.

Do not share the AC outlet with any other power-consuming equipment, such as copying machines or shredders.

You can purchase a power strip with a surge protector. This device prevents damage to your PC caused by sudden power surges such as those that may occur during an electrical storm.

If you live in an area that experiences frequent power fluctuations, you may want to purchase a UPS (Uninterrupted Power Supply). This device contains both a surge protector and a battery backup. The surge protector prevents damage to your PC caused by power surges. The battery backup safeguards your data during a brief period of power loss.

Do not place heavy objects on the power cord.

Do not operate the system with the cover removed. Always reinstall the cover before turning on the system.

To disconnect the cord, pull it out by the plug. Never pull the cord itself.

Unplug your PC from the wall outlet if you will not be using the PC for a long time.

The power control button on the front panel does not turn off the system AC power. To remove power from the system, you must shut down the PC as described in this manual and then unplug the AC power cord from the wall outlet or power strip.

Before touching anything inside the computer, turn the system off and let it cool for ten minutes. This will ensure that the processor heat sink will not be hot.

Do not attempt to open the power supply. There are no user-serviceable parts in the power supply. To avoid personal injury or damage to your equipment, refer the repair or replacement of the power supply to qualified personnel only.

On Disposal of the Lithium Battery

Dispose of the lithium battery properly. In some areas, the disposal of lithium batteries in household or business trash may be prohibited. You can return your unwanted lithium batteries to your nearest Sony Service Center or Factory Service Center. For the Sony Service Center nearest you, call 1-800-222-SONY (1-800-222-7669).

Caution

A Do not handle damaged or leaking lithium batteries.

WARNING

A The lithium battery may explode if mistreated. Do not disassemble it or dispose of it in fire.

Replace the battery with a Sony CR2032 lithium battery. Using a type of battery other than a CR2032 may present a risk of fire or explosion.

On Handling

Clean the cabinet with a soft, dry cloth or a soft cloth lightly moistened with a mild detergent solution. Do not use any type of abrasive pad, scouring powder, or solvent such as alcohol or benzine, as it may damage the finish of your Sony PC.

Should any solid object or liquid fall into the cabinet, keyboard, or mouse, shut down your PC and then unplug it. You may want to have the PC checked by qualified personnel before operating it any further.

On Installation

Do not place your Sony PC in a location subject to;

- HSt sources, such as radiators or air ducts

- Direct sunlight

- Excessive dust

- Moisture or rain

- Mechanical vibration or shock

- Strong magnets or speakers that are not magnetically shielded

- Ambient temperature of more than 95°F (35°C) or less than 50°F (10°C)

- High humidity

Do not place electronic equipment near your PC. The PC's electromagnetic field may cause a malfunction.

Provide adequate air circulation to prevent internal heat build-up. Do not place your PC on loose surfaces (such as rugs or blankets) or near materials (such as curtains or draperies) that may block its ventilation slots. Leave a space of at least 8 inches from the back panel of your PC.

The PC uses high-frequency radio signals and may cause interference to radio or TV reception. Should this occur, relocate the PC a suitable distance away from the set.

Use only specified peripheral equipment and interface cables; otherwise, problems may result.

Do not use cut or damaged connection cables.

Always switch the power off before connecting your PC to peripheral equipment; otherwise, damage may occur to the integrated circuits in your PC.

Your PC, keyboard, and mouse consist of high-precision electronic parts. Do not drop them or bump them against other objects.

Your Sony PC will not work with party lines, cannot be connected to a coin-operated telephone, and may not work with multiple phone lines or a private branch exchange (PBX).

If the telephone company makes a service call to your home or office and determines that your PC is responsible for the problem, the telephone company may bill you for the service call. Also, if you do not disconnect your PC when it is adversely affecting the telephone line, the telephone company has the right to disconnect your service until you correct the problem.

On Moisture Condensation

If your PC is brought directly from a cold location to a warm one, moisture may condense inside your PC. In this case, allow at least an hour before turning on your PC. If any problem occurs, unplug your PC, and contact your Sony Service Center.

On Upgrading the System

The procedures described in the "Upgrading and Maintaining Your Sony PC" section in this manual assume familiarity with the general terminology associated with personal computers and with the safety practices and regulatory compliance required for using and modifying electronic equipment.

Disconnect the system from its power source and from any telecommunications links, networks, or modems before you open the system or do any of the procedures described in the "Upgrading and Maintaining Your Sony PC" section in this manual. Failure to do so may result in personal injury or equipment damage.

Electrostatic discharge (ESD) can damage disk drives, add-in cards, and other components. Do the procedures described in the "Upgrading and Maintaining Your Sony PC" section only at an ESD workstation. If such a station is not available, do not work in a carpeted area, and do not handle materials that produce or hold static electricity (cellophane wrappers, for example). Ground yourself by maintaining contact with an unpainted metal portion of the chassis while performing the procedure.

When removing a slot cover, be careful not to damage components on the system board or add-in cards. You may need to temporarily remove add-in cards that are next to the slot cover you want to remove.

On Using the Hard Disk Drive

Do not place the PC in a location that is subject to vibration or shock.

Do not move the PC during operation.

Do not subject the PC to sudden changes in temperature.

Do not turn off the power while the PC is accessing the hard disk drive.

On Handling Diskettes

Do not open the shutter manually and touch the surface of the diskette.

Keep diskettes away from magnets.

Keep diskettes away from direct sunlight and other heat sources.

On Handling CD-ROM Discs •

Do not touch the surface of the disc.

Do not drop or bend the disc.

On Cleaning CD-ROM Discs

Fingerprints and dust on the surface of a disc may cause read errors. Proper care of the disc is essential to maintain its reliability. Do not use solvents such as benzine, thinner, commercially available cleaners or anti-static spray, as they may cause damage to the disc.

For normal cleaning, hold the disc by its edge and use a soft cloth to wipe the surface from the center out.

If the disc is badly soiled, moisten a soft cloth with water, wring it out well, and use it to wipe the surface of the disc from the center out. Wipe off any remaining moisture with a dry soft cloth.

Regulatory Information

This equipment has been tested and found to comply with the limits for a Class B digital device, pursuant to Part 15 of the Rules. These limits are designed to provide reasonable protection against harmful interference in a residential installation. This equipment generates, uses, and can radiate radio frequency energy and, if not installed and used in accordance with the instructions, may cause harmful interference to radio communications. However, there is no guarantee that interference will not occur in a particular installation. If this equipment does cause harmful interference to radio or television reception, which can be determined by turning the equipment off and on, the user is encouraged to try to correct the interference by one or more of the following measures:

- Reorient or relocate the receiving antenna.

- Increase the separation between the equipment and the receiver.

- Connect the equipment into an outlet on a circuit different from that to which the receiver is connected.

- Consult the dealer or an experienced radio/TV technician for help.

Any changes or modifications not expressly approved by the grantee of this device could void the user's authority to operate the equipment. The customer is responsible for ensuring compliance of the modified product.

Only peripherals (computer input/output devices, terminals, printers, etc.) that comply with FCC Class B limits may be attached to this computer product. Operation with non-compliant peripherals is likely to result in interference to radio and television reception.

All cables used to connect peripherals must be shielded and grounded. Operation with cables, connected to peripherals, that are not shielded and grounded, may result in interference to radio and television reception.

FCC Part 68

This equipment complies with Part 68 of the FCC rules. The ringer equivalence number (REN) and the FCC registration number are printed on the modem board. If requested, this information must be supplied to the telephone company.

The REN is used to determine the quantity of devices which may be connected to the phone line. Excessive REN's on the telephone line may result in the devices not ringing in response to an incoming call. In most, but not all areas, the sum of the REN's should not exceed five (5.0). To be certain of the number of devices that may be connected to the line, as determined by the total REN's, contact the telephone company to determine the maximum REN for the calling area.

This modem uses the USOC RJ-11 telephone jack.

If this equipment causes harm to the telephone network, the telephone company will, when practical, notify you in advance that temporary discontinuance of service may be required. If advance notice isn't practical, the telephone company will notify you as soon as possible. Also, you will be advised of your right to file a complaint with the FCC if you believe it is necessary.

The telephone company may make changes in its facilities, equipment, operations or procedures that could affect the operations of the equipment. If this happens, the telephone company will notify you in advance, in order for you to make the necessary modifications in order to maintain uninterrupted service.

If trouble is experienced with this modem, for repair or warranty information, please contact 1-888-4SONY-PC, or write to the Sony Customer Information Center, One Sony Drive, Park Ridge, NJ 07656.

This equipment cannot be used on telephone-company-provided coin service. Connection to Party Line Service is subject to state tariffs.

Repair of the modem should be made only by a Sony Service Center or Sony authorized agent. For the Sony Service Center nearest you, call 1-800-222-SONY (1-800-222-7669).

Telephone Consumer Protection Act of 1991

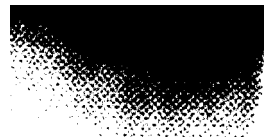
The Telephone Consumer Protection Act of 1991 makes it unlawful for any person to use a computer or other electronic device to send any message via a telephone facsimile machine unless such message clearly contains, in a margin at the top or bottom of each transmitted page or on the first page of the transmission, the date and time it is sent and an identification of the business, other entity, or individual sending the message, and the telephone number of the sending machine or such business, other entity, or individual.

In order to program this information into your facsimile, see your fax software documentation.

Index

- Numerics
 - 16-bit to 8-bit WAV conversions 60
- A/V Suite See Sony A/V Suite
- A/V Wall (VAIO Space) 25, 37, 38
- accessing online support 17, 24
- Account Setup window 23
 - enabling/disabling 31
- activating Windows 95 34
- active wall 25
- Add Application dialog box 26, 28
- Add Movie window 32
- add-in boards 93-94
- adding additional hardware 13-14
 - add-in boards 93-94
 - precaution 110
- adding additional software 26-27
 - problems with 84
- adding icons 27, 32
- adding memory 95-96
- adding printers 13
- adjusting speaker volume 84
 - AudioView 59, 60
 - CD Player 43
 - MIDI Player 63
 - Mixer 40, 41
 - Video File Player 71
 - WAV Player 50
- adjusting voltage settings 12, 109
- air circulation 111
- Alt keys 104
- amplitude See adjusting speaker volume
- animated icons (VAIO Space) 23, 29
- application icons, adding 27, 32
- Application Wall (VAIO Space) 25
 - launching applications 25
- applications
 - launching 24, 25, 30
 - problems with 84
 - moving between 33
 - organizing 21
 - recovering 87
- attaching cables 6
 - See also connectors
- AUDIO button (Video CD) 76
- audio modes (Video CD) 76
- audio See Sony A/V Suite
- AUDIOVIEW button 50, 55
- AudioView window 55
 - See also WAV Player
 - adjusting volume 59, 60
 - copying WAV segments 58-60
 - cutting WAV segments 55-57
 - menus 60
 - opening 55
 - recording sounds 61
 - selecting segments 56
- auxiliary devices 68
 - adjusting 40
- AVI files 69
 - See also video files
- B
- back panel (illustrated) 6
- background noise, removing 59
- backup files (preinstalled software) 87
- battery
 - disposing 110
 - replacing 97-98
 - caution 98
- browsers (Internet) 24
 - setting preferences 31

- cables 6, 111
 - See also connectors
- canceling commands 104
- CD formats (enhanced) 74
- CD INFO button (Video CD) 76
- CD Player 40,42-4«
 - See also Video CD Player
 - adjusting volume 43
 - changing playlists 48
 - controls 43
 - creating playlists 43,46-47
 - labeling tracks 45
 - naming CDs 44
 - starting 42
- CD Playlist Edit dialog box 44,45,46,48
- CD Tracks list 45
- CD tray
 - closing 43, 76,107
 - opening 43, 76,107
 - problems with 83
- CD-ROM drives 18
 - cleaning 114
 - troubleshooting 83, 84
 - using 42,107
- CDs
 - handling 113
 - playing 42, 84,107
 - from playlists 46
- changing CD tracks 43
- changing defaults 31
 - Video CD Player 75
- changing playlists
 - CD player 48
 - MIDI Player 67
 - Video File Player 73
 - WAV Player 54
- changing sound effects 55-60
 - undoing changes 59
- children's software 25
- choosing locations 4-5, 111
- choosing startup desktop 31
- cleaning
 - CD-ROM drives 114
 - computer 111
 - mouse 85
- click (defined) 105
- Clipboard
 - loading WAV files 60
 - saving contents 60
- closing
 - Add Movie window 32
 - CD tray 43, 76,107
 - My Space window 30
 - Net Space window 24
 - Sony VAIO Space 34
- computer
 - adding functionality 13
 - adjusting voltage settings 12,109
 - back panel illustrated 6
 - cleaning 111
 - condensation and 112
 - disposing of battery 110
 - locking up 83
 - protecting your investment 12,17
 - registering 17
 - removing cover 89, 90-92,110
 - replacing battery 97-98
 - caution 98
 - replacing cover 99-101
 - safety information iii
 - setting up 3-5
 - online support 79
 - precautions 111
 - shutting down 35,110
 - starting 15
 - problems with 83
 - unpacking 3
 - upgrading 89,112
- CONFIGURE button (Video CD) 75, 76
- connectors 6
 - additional components 13-14
 - keyboard 10
 - mouse 10



- Multimedia Computer Display 7
 - nonstandard equipment 8
 - palmrest 9
 - phone 11
 - power cords 12,109
 - precautions 111
 - CONTINUE button
 - CD Player 43
 - MIDI Player 63
 - Video File Player 71
 - WAV Player 50
 - continuous play
 - CDs 43
 - enhanced CDs 75
 - music files 63
 - sound effects 50
 - videos 71
 - converting WAV file formats 60
 - copying sound segments 58-60
 - correction keys (described) 103
 - creating MIDI files 63, 68
 - creating playlists
 - CD Player 43, 46-47
 - MIDI Player 63, 64-65
 - Video File Player 69-70
 - WAV Player 50, 51-52
 - creating WAV files 50,61
 - Crossfade command 60
 - Ctrl keys 104
 - cursor-movement keys (described) 103
 - customer assistance 17, 24
 - support options 79
 - customizing
 - VAIO space 30-32
 - Video CD Player 75, 76
 - cutting WAV segments 55-57
- D
- data
 - preventing loss 35
 - saving 108
 - DC Offset command 60
 - dead spots (WAV files) 55, 60
 - default settings, changing 31
 - Video CD Player 75
 - DELETE key 103
 - deleting background noise 59
 - desktop 21
 - See also Sony VAIO Space
 - selecting startup 31
 - dictionaries 25
 - disconnecting power cords 110
 - diskette drives 18,108
 - diskettes
 - handling 113
 - inserting into drive 108
 - writing to 108
 - display modes (Video Player) 71
 - displaying the taskbar 33
 - problems with 86
 - displays
 - See also Sony Multimedia
 - Computer Display
 - adjusting resolution 75
 - CD Player 42
 - connecting 8
 - screen savers 69
 - setting up 5
 - turning on 15
 - problems with 83
 - double-click (defined) 105
 - drag (defined) 105
 - drives 18,108
 - Echo button (AudioView) 59
 - Edit menu (AudioView) 60
 - editing sound effects 55-60
 - undoing changes 59
 - Eject button
 - CD Player 43
 - Video CD Player 76
 - electronic
 - documentation 79
 - equipment 111
 - registration 17

- electrostatic discharge 89
- e-mail support 79
- encyclopedias 25
- enhanced CDs 74
- Esc key 104
- European power settings 109
- Exit icon 29, 34
- Exit VAIO Space dialog box 34

- Fade button (AudioView) 59
- Fast forward button
 - AudioView 59
 - CD Player 43
 - MIDI Player 63
 - Video CD Player 75
 - Video File Player 71
 - WAV Player 50
- faxes, sending 117
- financial management applications 25
- Find Peak command 60
- flat spots (WAV files) 55,60
- Floor (VAIO Space) 29-35
- floppy drives 18,108
- function keys (described) 104

- Game Arcade 25
- GAME connector 14
- glare 5
- grounding 89

- H
- Halve Sample Rate command 60
- handling CDs 113
- handling diskettes 113
- hard disk 113
 - reformatting 87
- hardware
 - adding additional 13-14, 93-94
 - precaution 110
 - electrostatic discharge and 89
 - installing memory boards 95-96
 - nonstandard 8
 - online support 79
 - regulatory information 115-117
 - removing panels 90
 - replacing panels 99
 - troubleshooting 83, 84, 86
- headphones
 - caution for use 40
 - connecting 7, 8
- HEADPHONES connector 7, 8
- help 79
 - See also troubleshooting
- Help icon 29
- Help key 104

- I
- icons
 - adding 27, 32
 - VAIO Space 23, 29
- incorrect voltage settings 12
- indicator lights
 - A/V Suite 39
 - keyboard 104
- input devices 115
 - setting up 4
- INSERT key 103
- Insert Silence command 60
- inserting diskettes into drive 108
- installing additional hardware 13-14
 - add-in boards 93-94
 - precaution 110
- installing additional memory 95-96
- installing additional software 26-27
 - problems with 84
- interference 111, 115
- Internet access 23, 31
- Internet browsers 24
 - setting preferences 31
- INTRO button
 - CD Player 43
 - MIDI Player 63
 - Video File Player 71
 - WAV Player 50

- Invert Samples command 60
- joysticks 13
 - connecting 14
- Karaoke 74, 76
- keyboard 4,103-104
 - connecting 10
 - indicator lights 104
 - troubleshooting 86
- KEYBOARD coimector 10
- Kid's Land 25
- labeling tracks 45
- launching applications 24,25,30
 - problems with 84
- launching Sony A/V Suite 37
- launching Sony VAIO Space 34
- Load File Into Clipboard command 60
- loading MIDI files 62
- loading WAV files 49
- locations, choosing 4-5, 111
- losing data (caution) 35
- losing power 109
- M
- Master setting 40
- memory, adding 95-96
- menus 105
 - AudioView window 60
 - canceling commands 104
- MIC connector 7,8
- microphones 3
 - adjusting 40
 - coimecting 7,8
 - troubleshooting 85
- MIDI devices 13
 - connecting 14
- MIDI files
 - adding to playlists 64
 - creating 63, 68
 - loading 62
 - removing from playlists 67
 - saving 68
- MIDI instruments 68
- MIDI ORCH button 62
- MIDI Orchestrator 62
- MIDI Player 40.62-68
 - adjusting volume 63
 - changing playlists 67
 - controls 63
 - creating playlists 63,64-65
 - playing playlists 66
 - recording 63,68
 - starting 62
- MIDI Playlist dialog box 62, 64, 66, 67
- minimizing glare 5
- Mix Paste command 60
- Mixer (A/V Suite) 40-41
 - controls 40
 - moving sliders 41
- mixing sounds 40,55
 - by copying over 60
- model numbers iii
- modems 117
 - troubleshooting 85
- money management applications 25
- MONITOR connector 7,8
- monitors See displays
- mono sound files 60
- mono video CDs 75
- More A/V window 77
- mouse 4,105-106
 - cleaning 85
 - coimecting 10
 - troubleshooting 85
- mouse buttons
 - assigning sounds to 31
 - reassigning 106
- MOUSE connector 10
- movies 32, 69
 - setting preferences 31
 - showing 72

- moving
 - A/V sliders 41
 - among applications 33
 - objects 105
 - taskbar 33
- MPEG files 32, 69
 - See also video files
- Multimedia Computer Display See Sony Multimedia Computer Display
- multimedia reference materials 25
- multimedia See Sony A/V Suite
- multiple applications, moving among 33
- music files See MIDI files
- Mute button
 - CD Player 43
 - MIDI Player 63
 - Mixer 41
 - Video CD Player 75
 - Video File Player 71
 - WAV Player 50
- My Space icon 29
- My Space window 30
- N
- Name CD dialog box 44
- Name Track dialog box 45
- navigation keys (described) 103
- Net Space window 23, 24
- Next file button
 - MIDI Player 63
 - WAV Player 50
- Next track button
 - CD Player 43
 - Video CD Player 75
- Next video button (Video File) 71
- Noise Gate button (AudioView) 59
- nonstandard equipment 8
- Normalize button (AudioView) 59
- NUM LOCK key 103
- numeric keypad (described) 103
- objects, moving 105
- online
 - help 79
 - registration service 17
 - services 23, 24
 - support 17, 24
 - options 79
- online help
 - See also troubleshooting
- opening
 - Add Movie window 32
 - applications 24, 25, 30
 - problems with 84
 - AudioView window 55
 - CD tray 43, 76, 107
 - problems with 83
 - MIDI files 62
 - More A/V window 77
 - My Space window 30
 - Net Space window 23
 - Sony A/V Suite 37
 - Sony VAIO Space 34
 - VAIO Space Setting window 31
 - WAV files 49
- operator keys (described) 104
- output devices 115
 - adding 13-14
- output modes (Video CD) 75
- P
- palmrest 4
 - connecting 9
- panels
 - removing 90
 - replacing 99
- Pause play button
 - AudioView 59
 - CD Player 43
 - MIDI Player 63
 - Video CD Player 75
 - Video File Player 71

- WAV Player 50
- PC See computer
- PCM WAV files 60
- phones 8,117
 - connecting 11
 - service precautions 112
 - technical support and 80
- Play button
 - CD Player 42
 - MIDI Player 62
 - Video CD Player 75
 - WAV Player 49
- Play Range button (AudioView) 59
- playing
 - CDs 42, 84, 107
 - from playlists 46
 - enhanced CDs 74
 - MIDI files 62, 64, 66
 - videos 72
 - WAV files 49, 52, 53
- PLAYLIST button
 - CD Player 43
 - MIDI Player 63
 - WAV Player 50
- playlists 39
 - CD Player 43, 46-48
 - saving 47
 - MIDI Player 63, 64-67
 - saving 65
 - Video File Player 69-73
 - saving 70
 - WAV Player 50, 51-54
 - saving 52
- plugging in connectors 6
- point (defined) 105
- power cords 12,109
 - disconnecting 110
- power fluctuations or loss 109
- {X}wer source, precautions 109-110
- power switch 15
- preferences (VAIO Space) 30-32
- preinstalled software 21, 25
 - accessing 25
 - online support 79
 - previewing 29
 - restoring 87
- previewing preinstalled software 29
- Previous file button
 - MIDI Player 63
 - WAV Player 50
- Previous track button
 - CD Player 43
 - Video CD Player 75
- Previous video button (Video File) 71
- Print Screen key 104
- PRINTER connector 13
- printers 13
- problem solving 83-86
- productivity tools 25
- protecting your investment 12,17

- quitting Sony VAIO Space 34

- radio interference 111, 115
- reassigning mouse buttons 106
- rebooting system 83
- Record button
 - MIDI Player 63
 - WAV Player 50
- recording music 63, 68
- recording serial numbers Hi
- recording sound effects 50, 61
- Recovery CD 87
- reducing glare 5
- Reference Library 25
- reformatting hard disk 87
- registering Windows 95 16
- registering your computer 17
- regulatory information 115-117
- Remote Command Security
 - dialog box 82
- removing background noise 59



- removing computer cover 89,90-92, 110
- removing diskettes 108
- removing software 28
- REPEAT button
 - CD Player 43
 - MIDI Player 63
 - Video CD Player 75
 - Video File Player 71
 - WAV Player 50
- repeating playlists 43, 50, 63, 71
- replacing battery 97-98
 - caution 98
- replacing computer cover 99-101
- resolution (Video CD) 75
- restoring preinstalled software 87
- Reverse command 60
- Rewind button
 - Audio View 59
 - CD Player 43
 - MIDI Player 63
 - Video CD Player 75
 - Video File Player 71
 - WAV Player 50
- right-click (defined) 105

- safety information iii
- Save Clipboard command 60
- saving data 108
- saving MIDI files 68
- saving playlists
 - CD Player 47
 - MIDI Player 65
 - Video File Player 70
 - WAV Player 52
- saving WAV files 61
- Scale button (AudioView) 59
- SCREEN button
 - Video CD 75
 - Video File 71
- screen savers 69
- screens, reducing glare 5

- SEARCH button (Video CD) 75
- selecting
 - locations 4-5, 111
 - startup desktop 31
 - text 105
- sending faxes 117
- serial numbers iii
- service providers (Internet) 31
- setting up Windows 95 16
- setting up your PC 3-5
 - back panel illustrated 6
 - online support 79
 - precautions 111
- Settings icon 29, 31
- Shift keys 104
- SHUFFLE button
 - CD Player 43
 - MIDI Player 63
 - Video File Player 71
 - WAV Player 50
- shutting down your computer 35,110
- signal-to-noise ratio 59
- Sky (VAIO Space) 23-24
- sliders, moving 41
- software
 - See also preinstalled software
 - adding 26-27
 - problems with 84
 - removing 28
- software demos 69
- Sony A/V Suite 3, 37
 - components 38-39
 - accessing 37
 - exploring 40-78
 - indicator lights 39
 - opening 37
- Sony e-mail support 79
- Sony Fax-back service 79
- Sony Multimedia Computer Display 3
 - connecting 7
 - setting up 5
 - turning on 15
 - problems with 83



- Sony Online 23
- Sony Online Support 17, 24
 - options 79
- Sony PC online registration 17
- Sony Sales and Marketing Support 79
- Sony VAIO Space 21
 - adding icons 27, 32
 - closing 34
 - customizing 30-32
 - exploring 23-35
 - opening 34
 - screen, described 22
- SOS hotline 80
- SOS icon 24
- SOS service 80-82
- SoundIWaster formats 60
- sound effects 31,49
 - changing 55-60
 - fading in or fading out 59
 - mixing 40, 55
 - by copying over 60
 - recording 50, 61
 - removing background noise 59
 - undoing changes 59
- sound files See WAV files
- soundtracks, enabling/disabling 31
- speakerphones 8
 - connecting 11
 - technical support and 80
- speakers 3
 - adjusting volume 84
 - AudioView 59, 60
 - CD Player 43
 - MIDI Player 63
 - Mixer 40, 41
 - Video File Player 71
 - WAV Player 50
 - connecting 7, 8
 - precaution 111
 - troubleshooting 84
- spinning icons (VAIO Space) 23, 29
- starting
 - CD Player 42
 - MIDI Player 62
 - More A/V 77
 - Video CD Player 74
 - Video File Player 69
 - WAV Player 49
- starting your computer 15
 - problems with 83
- startup desktops 31
- stereo sound files 60
- stereo video CDs 75
- still pictures 75
- Stop play button
 - AudioView 59
 - CD Player 43
 - MIDI Player 63
 - Video CD Player 75
 - Video File Player 71
 - WAV Player 50
- surge protectors 109
- switching applications 33
- switching to Windows 95 34
- synchronized video playback 76
- system
 - rebooting 83
 - reformatting hard disk 87
 - troubleshooting 83-86

T

- taskbar 33
 - problems viewing 86
- technical specifications 79
- technical support 17, 24
 - support options 79
- telephones See phones; speakerphones
- temporary playlists 46
- text, selecting 105
- tracks
 - See also CD Player
 - adding to playlists 46-47
 - changing 43
 - naming 45
 - removing from playlists 48

- Transforms menu (AudioView) 60
- Trim button (AudioView) 59
- troubleshooting 83-86
- turning off your computer 35,110
- turning on your computer 15
 - problems with 83
- TV interference 111, 115

- U
- Undo button (AudioView) 59
- unpacking the computer 3
- "untitled" setting 42
- upgrading your computer 89,112
- UPS (Uninterrupted Power Supply) 109
- User Interface, selecting 31

- VAIO Space See Sony VAIO Space
- VAIO Space Setting window 31
- ventilation 4, 111
- Video CD Player 74-76
 - controls 75
 - starting 74
- Video File Player 69-73
 - adjusting volume 71
 - changing playlists 73
 - controls 71
 - creating playlists 69-70
 - display modes 71
 - playing playlists 72
 - starting 69
- video files 69
 - adding to playlists 69
 - removing from playlists 73
 - rewinding 71
 - viewing 72
- Video Playlist dialog box 69, 72, 73
- Video Wall (VAIO Space) 25
- videos See Sony A/V Suite
- viewing movies 31, 32
- viewing the taskbar 33
 - problems with 86
- viewing video files 72
- VOC sound formats 60
- voltage settings 12,109
- volume, adjusting 84
 - AudioView 59, 60
 - CD Player 43
 - MIDI Player 63
 - Mixer 40,41
 - Video File Player 71
 - WAV Player 50

- W
- walls (VAIO Space) 25-28
 - activating 25, 86
- warranty 17
- watching movies 31,32
- WAV files
 - adding to playlists 51
 - converting formats 60
 - copying segments 58-60
 - copying to Clipboard 60
 - creating 50,61
 - cutting segments 55-57
 - deleting background noise 59
 - loading 49
 - pasting segments backward 60
 - removing from playlists 54
 - saving 61
 - undoing changes 59
- WAV Player 40, 49-54
 - adjusting volume 50
 - changing playlists 54
 - controls 50
 - creating playlists 50,51-52
 - editing sounds 55-60
 - playing playlists 53
 - recording sounds 50, 61
 - starting 49
- WAV Playlist dialog box 49,51, 53,54
- Web sites 23
 - e-mail support address 79
- Welcome icon 29



About Your Sony PC

PC-9801/9802

W10



NOTICE

This product contains software owned by Sony and licensed by third parties. Use of such software is subject to the terms and conditions of license agreements enclosed with this product. Some of the software may not be transported or used outside the United States. Software specifications are subject to change without notice and may not necessarily be identical to current retail versions.

Updates and additions to software may require an additional charge. Subscriptions to online service providers may require a fee and credit card information. Financial services may require prior arrangements with participating financial institutions. Some software titles are trial versions.

Sony and VAIO are trademarks of Sony. The Intel Inside logo and Pentium are registered trademarks of Intel Corporation. Microsoft, Windows, and the Windows 95 logo are trademarks of Microsoft Corporation. All other trademarks are trademarks or registered trademarks of their respective owners.

© 1996 Sony Electronics Inc. All rights reserved.

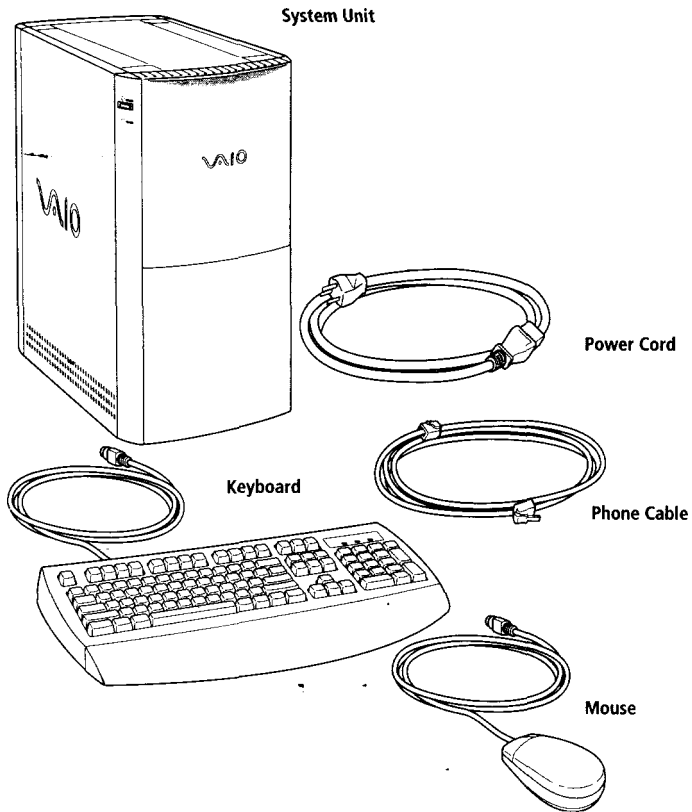
Reproduction in whole or in part without permission is prohibited.

^ *

About the Contents of Your Sony PC

Your Sony PC includes the following items:

PC and Supplied Accessories



Manuals

About Your Sony PC provides descriptions of your preinstalled software titles and the specifications for your Sony PC.

Sony PC User Guide describes how to set up your PC, use VAIO™ Space (the Sony desktop), use the Sony A/V Suite, find help, upgrade your PC, and accomplish basic computer tasks.

Introducing Windows® 95 explains how to use the basic features of the Windows 95 operating system.

Introducing Microsoft® Phone teaches you how to use the Microsoft Phone speakerphone, answering machine, fax, and e-mail software.

3D Movie Maker shows you how to create movies with the 3D Movie Maker application.

Note

[^] *Your PC also includes a comprehensive hardware reference guide in the Sony PC Help Library on your hard disk drive. You can access this library from the Windows 95 Start menu.*

Other

Setting up your Sony PC (poster)

Packet containing Sony warranty information and special product offers

CD album containing Microsoft software license agreement, Sony end-user license agreement, and the following CDs:

The American Heritage® Talking Dictionary	Microsoft 3D Movie Maker
Billboard® Music Guide	Microsoft Encarta® 96 Encyclopedia
Blockbuster Entertainment® Video Guide To Movies & Videos	Microsoft Windows 95 Companion CD
Cartopedia: The Ultimate World Reference Atlas	PC World's Multimedia LIVE! Quicken® Special Edition
Compton's Interactive Encyclopedia™	Reader Rabbit 1® Recovery CD
The Eamily Doctor	Sony Welcome CD
LAUNCH™	Video CD-ROM Sampler
MechWarrior®2 (Enhanced Edition)	WipeOut™ (Enhanced Edition) WOW!



About the Software on Your Sony PC

Your Sony PC is ready to help you work, play, learn, and communicate as soon as you turn it on. This section gives you an overview of the activities you can perform with your software titles.

For general information, call Sony Electronics at 888-4SONY-PC (888-476-6972).

In the Work Center



Quicken® Special Edition

Intuit, Inc.

Quicken Special Edition helps you manage your personal and small business finances. The software resembles your checkbook, so it's easy to learn and easy to use. You can print checks, reconcile your bank account, and complete bank transactions from home. Quicken Special Edition's charts and graphs show you account balances and where your money goes. For questions and technical assistance, call Quicken at 505-896-7222, M - F, 6 am - 6 pm MT.



Investor Insight® (trial edition)

Intuit, Inc.

Investor Insight is a comprehensive, easy-to-use investment information service available for personal investors. It combines a full suite of investment analysis features—charting, company news, research reports, and personalized reports—with its own online service. With the click of a button, Investor Insight downloads late-breaking Wall Street information related to your stocks and mutual funds. For technical assistance, call Intuit at 708-585-8500, M - F, 7 AM - 11 PM CT, S - S, 8 AM - 5 PM CT.



Microsoft Works for Windows 95

Microsoft Corporation

Microsoft Works is a suite of productivity tools that includes a word processor, spreadsheet, database, and drawing and communications software. You can use these tools to create professional documents quickly and easily. For questions and technical assistance, call Sony Electronics at 888-4SONY-PC (888-476-6972), 7 days a week, 24 hours a day.



Microsoft Money

Microsoft Corporation

Display the status of your checking and savings accounts or check your loan and credit card balances. The software reminds you when it's time to pay a monthly bill and offers you the option to print your own checks or, if you make arrangements with your financial institution, pay the bills electronically. You can also prepare budgets and plan your financial future. Wizards help you set up new accounts, and online banking enables you to bank from home. For questions and technical assistance, call Sony Electronics at 888-4SONY-PC (888-476-6972), 7 days a week, 24 hours a day.



Sidekick® 95 (trial edition)

Starfish Software

A personal organizer that keeps you on top of your schedule, client contacts, expenses, receipts, correspondence, telephone calls, and world time. Sidekick prints pages that fit into popular organizers from companies such as Day-Timer™, Day Runner®, Franklin®, and Filofax®. For questions and technical assistance, call Starfish Software at 900-555-1010 (charges appear on your phone bill) or 800-953-9995 (charges appear on your credit card), M - F, 6 AM - 5 PMPT.



PC411® Telephone Directory

PC411, Inc.

PC411 is your online North American telephone book and a complete source of 411 information; over 108 million names, telephone numbers, addresses, and ZIP codes for all published business and residential phone book listings in the United States and Canada. Includes AT&T's 800 Directory. Search the entire country any time you need. Your first five searches are free. Charges apply for additional searches. For questions and technical assistance, call PC411 at 310-645-1114, M - F, 8 AM - 5 PMPT.

In the Reference Library



Microsoft Encarta® 96 Encyclopedia

Microsoft Corporation

With more than 26,000 articles and nearly 300,000 links, this multimedia encyclopedia provides extensive information for school, work, and personal interests. Conduct research with a timeline that spans 15 million years. The Yearbook Builder provides current online updates. This software features "Sony Tuned" MPEG1 Digital Video. For questions and technical assistance, call Sony Electronics at 888-4SONY-PC (888-476-6972), 7 days a week, 24 hours a day.



Compton's Interactive Encyclopedia™ (1996 edition)

SoftKey® International Inc.

This 26-volume encyclopedia includes more than 35,000 articles, 8,000 pictures, and 100 full-motion videos. Listen to more than 15 hours of sounds, including famous speeches and recordings of historical events. The encyclopedia is valuable for students, families, and professionals. This software features "Sony Tuned" MPEG1 Digital Video. For questions and technical assistance, call SoftKey at 423-670-2020, M - F, 8 AM - 9 PM ET.

The American Heritage® Talking Dictionary

SoftKey International Inc.

More than an ordinary dictionary, this multimedia dictionary provides the correct pronunciation of 72,000 words. Use it to find full definitions of nearly 200,000 words. Photos, illustrations, and videos clarify the meanings of many words. This edition also includes a thesaurus with more than a million synonyms, the Dictionary of Cultural Literacy, and a special Quick View definition window. This software features "Sony Tuned" MPEG1 Digital Video. For questions and technical assistance, call SoftKey at 423-670-2020, M - F, 8 am - 9 PM ET.



Cartopedia: The Ultimate World Reference Atlas

DK Multimedia

Cartopedia is an in-depth guide to the geographical world. This worldwide atlas includes detailed maps and up-to-date background information. A wealth of statistical data enables you to compare and contrast world statistics. For questions and technical assistance, call DK Multimedia at 800-356-6575, M - F, 9 AM - 7 PM ET.

The Family Doctor - 4th Edition

Creative Multimedia™

The Family Doctor - 4th Edition is a resource for medical information.

This edition includes descriptions of more than 7,600 drug interactions and side-effects, explanations of first-aid techniques, and classifications of common symptoms and diagnoses. The software also covers alternative medicines, elements of human anatomy, and answers to more than 2,300 commonly asked medical questions. The material contained within The Family Doctor is for information only and should not replace the advice of your personal physician. This software features "Sony Tuned" MPEG1 Digital Video. For questions and technical assistance, call Creative Multimedia at 900-438-8324 (charges appear on your phone bill), M - F, 8 am - 5 pm FT.



Blockbuster Entertainment® Video Guide to Movies & Videos - 2nd Edition

Creative Multimedia

Find out about movies before you watch them. This software includes more than 22,000 reviews, 5,500 photographs, 40 video clips, StarLinks™ interactive movie game, and 10,000 biographies and videographies. The Blockbuster Video Guide also offers free monthly electronic updates with reviews of the latest movie and video releases. This software features "Sony Tuned" MPEG1 Digital Video. For questions and technical assistance, call Creative Multimedia at 900-438-8324 (charges appear on your phone bill), M - F, 8 am - 5 pm PT.



Billboard® Music Guide

Creative Multimedia

The Billboard® Music Guide, with more than 60,000 albums in each of the major music genres, helps you find the music you want to own. This software includes more than 1,000 audio "sampling" clips, 38,000 reviews from *Billboard's Magazine* and the *All Music Guide*, graphics from more than 3,000 album covers, biographies, artist and band photos, credits, and Internet access. This software features "Sony Tuned" MPEG1 Digital Video. For questions and technical assistance, call Creative Multimedia at 900-438-8324 (charges will appear on your phone bill), M - F, 8 AM - 5 pm PT.

LAUNCH

2 Way Media, Inc.

LAUNCH™, the bi-monthly entertainment CD-ROM. See and hear exclusive performances and interactive interviews from today's top musical artists. Enjoy behind-the-scenes interviews with movie stars and filmmakers. Discover original animated short films, plus game reviews and playable game demos. For questions and technical assistance, call 2Way Media at 310-319-5320, M - F, 10 AM - 8 PM PT.



PC World's Multimedia LIVE!

PC World Magazine

LIVE! is a monthly CD-ROM magazine featuring the latest multimedia shareware, games, utilities, tips, and more. With this digital extension of the award-winning *PC World* magazine, you get software demos, clip art, music files, and up-to-date product reviews of the latest CD-ROM titles, creative tools, and multimedia hardware. Also included are behind-the-scenes video interviews with multimedia celebrities, movies, links to the hottest multimedia Web sites, and utilities for running and troubleshooting your multimedia system. For technical assistance, call PC World Magazine at 614-791-3747, M - F, 8:30 am - 5 PM ET.

Video CD-ROM Sampler

Sony Pictures Entertainment

The Video CD Sampler presents trailers from recent movies now available on Tiome videos and distributed by Columbia Tristar Home Video®. Also includes trailers from current popular television programs distributed by Columbia Tristar Television Distribution™. This software features "Sony Tuned" MPEG1 Digital Video. For questions and technical assistance, call Sony Electronics at 888-4SONY-PC (888-476-6972), 7 days a week, 24 hours a day.

Sony PC Help Library

Sony Electronics

Sony PC Help Library gives you access to online user guides and help files for the software on your Sony PC. For questions and technical assistance, call Sony Electronics at 888-4SONY-PC (888-476-6972), 7 days a week, 24 hours a day.

In the Game Arcade



WipeOut" *PSYGNOSIS LTD.*

This game is set at a fictional racetrack of the future where there is zero gravity. Use the controls to navigate hairpin turns, make hang-ten drops, and initiate jumps. Your goal is to stay in the lead and defend your vehicle against other drivers. This enhanced edition includes ATI tuning. For questions and technical assistance, call PSYGNOSIS at 415-655-5683, M - F, 9 am - 5 PM FT.



MechWarrior® 2 *Activision®, Inc.*

Combining sophisticated simulation gameplay with vivid 3-D graphics, this action-combat game puts you in the cockpit of one of 15 'Mechs®, each customized with a variety of lethal weapons. Players battle across a number of planetary terrains, ranging from urban landscapes to icefields to deserts. The game is optimized for the ATI 3D RAGE accelerator chip, offering players higher polygon count real-time 3-D graphics with 65,000 colors. For questions and technical assistance, call Activision at 310-479-5644, M - F, 9 AM - 5 PM PT.



Dr. Black Jack (Best of Microsoft Entertainment Pack) *Microsoft Corporation*

This classic casino game is a Windows favorite. Test your card-sense and luck as you try to reach 21. For questions and technical assistance, call Sony Electronics at 888-4SONY-PC (888-476-6972), 7 days a week, 24 hours a day.



FreeCell (Best of Microsoft Entertainment Pack) *Microsoft Corporation*

In FreeCell, all the cards are on the table, but it still takes skill and practice to win. For questions and technical assistance, call Sony Electronics at 888-4SONY-PC (888-476-6972), 7 days a week, 24 hours a day.



Golf (Best of Microsoft Entertainment Pack) *Microsoft Corporation*

You win this challenging solitaire game by matching the suits. For questions and technical assistance, call Sony Electronics at 888-4SONY-PC (888-476-6972), 7 days a week, 24 hours a day.



TriPeaks (Best of Microsoft Entertainment Pack)

Microsoft Corporation

TriPeaks is a single-player card game. Your goal is to earn a higher score than anyone else who's ever played on your PC. Your success will depend on your perseverance, memory, and luck. For questions and technical assistance, call Sony Electronics at 888-4SONY-PC (888-476-6972), 7 days a week, 24 hours a day.



Tut's Tomb (Best of Microsoft Entertainment Pack)

Microsoft Corporation

Your lucky number is 13 in this solitaire card game. For questions and technical assistance, call Sony Electronics at 888-4SONY-PC (888-476-6972), 7 days a week, 24 hours a day.

Taipei (Best of Microsoft Entertainment Pack)

Microsoft Corporation

Taipei is an ancient game from the Orient. Map your strategy to match all the tiles. For questions and technical assistance, call Sony Electronics at 888-4SONY-PC (888-476-6972), 7 days a week, 24 hours a day.



TetraVex (Best of Microsoft Entertainment Pack)

Microsoft Corporation

Place your chips wisely in this four-sided game. Match the numbers as you complete the square. For questions and technical assistance, call Sony Electronics at 888-4SONY-PC (888-476-6972), 7 days a week, 24 hours a day.

Tetris™ (Best of Microsoft Entertainment Pack)

Microsoft Corporation

Tetris is the international favorite from Russia. Maneuver the blocks into rows to win. For questions and technical assistance, call Sony Electronics at 888-4SONY-PC (888-476-6972), 7 days a week, 24 hours a day.



JezzBall (Best of Microsoft Entertainment Pack)

Microsoft Corporation

Trap the balls and beat the clock in this arcade-style game. For questions and technical assistance, call Sony Electronics at 888-4SONY-PC (888-476-6972), 7 days a week, 24 hours a day.



Pipe Dream™ (Best of Microsoft Entertainment Pack)

Microsoft Corporation

The Pipe Dream maze game requires quick and decisive actions to avoid getting wet. For questions and technical assistance, call Sony Electronics at 888-4SONY-PC (888-476-6972), 7 days a week, 24 hours a day.

^ Chip's Challenge® (Best of Microsoft Entertainment Pack)

Microsoft Corporation

Navigate through many levels of puzzles and obstacles, including swamps, teleporters, ice, and killer balls. For questions and technical assistance, call Sony Electronics at 888-4SONY-PC (888-476-6972), 7 days a week, 24 hours a day.



Rodent's Revenge (Best of Microsoft Entertainment Pack)

Microsoft Corporation

In this modern version of cat and mouse, a rodent scurries through a maze to trap the cat and win the cheese. For questions and technical assistance, call Sony Electronics at 888-4SONY-PC (888-476-6972), 7 days a week, 24 hours a day.



SkiFree (Best of Microsoft Entertainment Pack)

Microsoft Corporation

In this game, you steer a skier on a downhill slope. Choose a course—slalom, tree-slalom, or freestyle—and see how quickly you can make the skier reach the bottom. For questions and technical assistance, call Sony Electronics at 888-4SONY-PC (888-476-6972), 7 days a week, 24 hours a day.

In Kid's Land

Microsoft 3D Movie Maker

Microsoft Corporation

With Microsoft 3D Movie Maker, children can create 3-D movies with special effects, sounds, music, and spoken dialog. Choose from more than 30 actors, select the costumes, and decide which camera angles to use. McZee™ and Melanie are characters who offer tips and help along the way. For questions and technical assistance, call Sony Electronics at 888-4SONY-PC (888-476-6972), 7 days a week, 24 hours a day.



Reader Rabbit 1 & The Learning Company Sampler

SoftKey International Inc.

Reader Rabbit helps youngsters build their preschool and first-grade reading skills. The rabbit leads children on a tour of the Word Eactory, where they play games that use time-tested educational techniques. Animated graphics and lively sounds enhance the experience of recognizing letters and words. For questions and technical assistance, call SoftKey at 423-670-2020, M - F, 8 AM - 9 PM ET.

In the A/V Wall

© CD Player

Use the CD Player to listen to audio CDs in your CD-ROM drive while you use your computer. You can play specific tracks, shuffle tracks in random order, or create a playlist of selected tracks. Software created by Voyetra™ Technologies. For questions and technical assistance, call Sony Electronics at 888-4SONY-PC (888-476-6972), 7 days a week, 24 hours a day.

WAV Player

Many of the sounds you hear on your Sony PC are WAV files. The WAV Player lets you play WAV files as well as create playlists of your favorite sounds and save the sequences to hear later. Software created by Voyetra Technologies. For questions and technical assistance, call Sony Electronics at 888-4SONY-PC (888-476-6972), 7 days a week, 24 hours a day.

n MIDI Player

Connect a MIDI instrument to the built-in MIDI connector and you can record your own MIDI files. The MIDI Player also makes it easy to play existing MIDI music files and to make playlists for future listening sessions. Software created by Voyetra Technologies. For questions and technical assistance, call Sony Electronics at 888-4SONY-PC (888-476-6972), 7 days a week, 24 hours a day.

Audio Mixer

With the Audio Mixer, you can adjust the volume for all the sound sources on your Sony PC. Use the Audio Mixer to make the audio in your multimedia software and audio CDs sound just the way you like. The Audio Mixer also controls auxiliary devices and microphone input. Software created by Voyetra Technologies. For questions and technical assistance, call Sony Electronics at 888-4SONY-PC (888-476-6972), 7 days a week, 24 hours a day.

Video File Player

Watch movies on your Sony PC with the Video File Player. This video player functions like a VCR and plays AVI and MPEG1 video format files. You can make playlists of video files and save the lists for future viewing. Software created by Voyetra Technologies. For questions and technical assistance, call Sony Electronics at 888-4SONY-PC (888-476-6972), 7 days a week, 24 hours a day.



Video CD Player

The Video CD Player in your Sony PC enables you to play Video CDs. Use it also as a Karaoke player, to sing along with Karaoke CDs. Or watch music videos on enhanced CDs and access bonus information about your favorite musicians. Software created by CompCore Multimedia, Inc. For questions and technical assistance, call Sony Electronics at 888-4SONY-PC (888-476-6972), 7 days a week, 24 hours a day.



Microsoft Phone

Microsoft Corporation

Turn your Sony PC into a speakerphone. Microsoft Phone transforms your modem into a comprehensive, centralized communications center. Store all e-mail, voice, and fax messages in a single inbox. Let callers hear announcements leave messages, or receive faxes by pressing their phone keys. Use text-to-speech technology to read e-mail messages aloud over the phone. Microsoft Phone uses speech-recognition technology to enable you to store frequently used numbers in memory and to dial by simply pronouncing a name. For questions and technical assistance, call Sony Electronics at 888-4SONY-PC (888-476-6972), 7 days a week, 24 hours a day.



AudioView™

With AudioView you can record your own sounds, add prerecorded sounds, and change or edit the existing sounds on your Sony PC. Familiar copy, cut, and paste commands make it easy to get started. You can also perform more sophisticated functions such as mix pasting, combining several sounds, and adjusting playback volume. Software created by Voyetra Technologies. For questions and technical assistance, call Sony Electronics at 888-4SONY-PC (888-476-6972), 7 days a week, 24 hours a day.

In Net Space



DeltaPoint® QuickSite™ (trial edition)

DeltaPoint, Inc.

Create and manage your own site on the World Wide Web with QuickSite. Wizards guide you as you design, structure, and organize the pages. Predesigned components give you a head start. When you're ready to publish your World Wide Web site, QuickSite generates the HTML code, builds the links, logs on to your Internet Service Provider, and transfers the files. For questions and technical assistance, call DeltaPoint at 800-446-6955, M - F, 7 AM - 5 PM PT.

Internet Explorer for Windows 95

Microsoft Corporation

Internet Explorer is the Internet browser included with Microsoft Plus! The Setup Wizard configures your computer to connect automatically to the service provider of your choice. A full e-mail package enables you to send and receive mail—including attached files—across the Internet. If you do not currently have a service provider, Internet Explorer connects you to the Internet using MSN, The Microsoft Network™. A complete online tutorial helps new users become comfortable using the Internet. For questions and technical assistance, call Sony Electronics at 888-4SONY-PC (888-476-6972), 7 days a week, 24 hours a day.



Netscape Navigator™ Personal Edition

Netscape Communications

Netscape Navigator gives you easy access to all major Internet resources. Browse ever-growing sources of information on commerce, current events, travel, entertainment, and more. Netscape Navigator is the most widely used World Wide Web browser in the world. For questions and technical assistance, call Sony Electronics at 888-4SONY-PC (888-476-6972), 7 days a week, 24 hours a day.



America Online®

America Online

America Online is an online service with an intuitive interface. Use America Online to stay on top of the news and track your personal finances. Find support for computer products and download software and files. Read issues of your favorite magazines, take online accredited courses, connect with homework tutors, and chat with thousands of members. You also receive your own e-mail account. For technical support, call America Online at 800-827-3338, 7 days a week, 6 AM - 2 PM ET.

WOW!

CompuServe, Inc.

WOW! from CompuServe is a consumer online service created for home and family use. WOW! offers each household member access to information, entertainment, communications, and the Internet, combined with the flexibility to customize and control the online experience. WOW! includes e-mail services, multimedia, and distinct online views for adults and children. In addition, strong parental access options are available. For technical support, call CompuServe at 800-943-8969, 7 days a week, 24 hours a day.



WinCIM® CompuServe Information Manager

CompuServe, Inc.

A comprehensive online information manager that enables members to select a wide range of information services. CompuServe's WinCIM provides access to the Internet, latest breaking news, weather reports, stock quotes, travel and leisure information, games, entertainment, electronic mail, electronic shopping, restaurant reviews, and movie reviews. For technical support, call CompuServe at 800-848-8990, M - F, 8 AM - 1 PM FT, S - S, 10 AM - 10 PM FT.



Cyber Passage

Sony Electronics

Cyber Passage is the first VRML-based (Virtual Reality Modeling Language) Internet web browser. VRML is the 3-D equivalent of HTML (HyperText Marking Language), converting the VRML language to a 3-D world of animated shapes, sights, and sounds. Use your mouse to travel between hyperlinked 3-D space objects. Share objects with multiple users. This version of CyberPassage is automatically invoked by Netscape Navigator when viewing VRML data. For questions and technical assistance, send e-mail to info@sm.sony.co.jp.

Other Software



Sony Welcome CD

Sony Electronics

The Welcome CD provides a peek at the wide variety of applications included with the Sony PC: movies, music, games, magazines, online services, education, finance, and more. Through its graphically rich, interactive environment, the Welcome CD also offers a glimpse of how your PC's sophisticated technology creates a dynamic, multisensory experience. This software features "Sony Tuned" MPEG1 Digital Video. For questions and technical assistance, call Sony Electronics at 888-4SONY-PC (888-476-6972), 7 days a week, 24 hours a day.

Microsoft Plus!

Microsoft Corporation

Microsoft Plus! is a companion to Windows 95. Plus! helps you access the Internet and tune your PC, performing tasks such as disk optimization and error correction. In addition, Plus! provides 12 colorful desktop themes and the 3-D Pinball game. For questions and technical assistance, call Sony Electronics at 888-4SONY-PC (888-476-6972), 7 days a week, 24 hours a day.

Specifications

Model Number	PCV-70 PCV-90
Processor	166 MHz Pentium 200 MHz Pen
Hard Disk Drive	2.1 GB 2.5 GB
Standard RAM	32 MB EDO RAM, expandable to 128 R
L2 Cache Memory	256 KB Pipeline Burst SRAM
Video RAM	2 MB EDO Video RAM
MPEG	"Sony Tuned" MPEG1 Digital Video supports full-screen playback
Graphics	3-D acceleration
Sound Capabilities	3-D SRS surround sound 16-bit audio EM synthesis Wavetable synthesis MPC-3 compliant
Diskette Drive	3.5" 1.44 MB MFDD
CD-ROM Drive	8X CD-ROM drive
CD-ROM Laser	Semiconductor laser GaAlAs 780 nm wave length 0.6 mW output power 53.4 ±1.5 degrees beam divergence
Modem	28.8 Kbps DSVD modem 14.4 Kbps fax
Telecommunication Capabilities	Full duplex speakerphone with echo cancel Answering machine functionality with personal mailboxes Fax send/receive
Expansion Capabilities	Two PCI slots Two ISA slots One shared PCI/ISA slot MIDI/game port Two USB ports* Two drive bays
Supplied Accessories	Keyboard Mouse RJ-11 Phone Cable Power Cord

Service	One-year on-site standard [^]
Limited Warranty	One-year parts/labor standard*
Power Requirements	200 watts maximum
Dimensions	9" (w) x 14 7/8" (h) x 18" (d) (226 x 376 x 455mm)
Weight	22 lbs. (10kg)
Operating Temperature	50° F to 95° F (+10° C to 35° C)

** USB ports are included to provide state-of-the-art technology. Until USB support is available at the operating system level, you must supply drivers to use USB devices. You can upgrade your operating system to a version that supports USB at the operating system level once a version becomes available.*

+ Certain restrictions apply.

Specifications are subject to change without notice.

This product meets the standards of the International ENERGY STAR Program for energy efficiency.

Windows 95
 activating 34
 keyboard access 104
 setting up 16
 shutting down 35
 taskbar 33
 problems viewing 86
Windows icon 29, 34
word processing applications 25
Work Center 25
work surfaces 4
World Wide Web See Web sites

Zoom In button (AudioView) 59
Zoom Out button (AudioView) 59